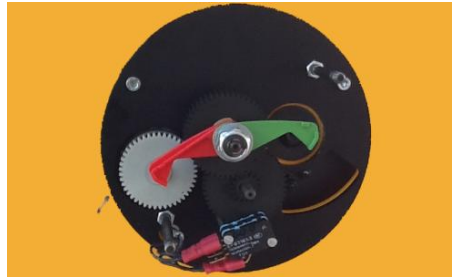


## MOTORBOX 500 kg - Direct control



Motorised manual winch 500 kg. Direct control model.

Use:

- Simple lifting and pulling operations
- Occasional use
- Maintenance (chandeliers...)
- Moving doors or hatches...

Comply with Machines Directive 2006/42/EC and standard NF E N 14492-1.

### Technical properties

- Mechanical welded steel drum.
- Mechanical parts machined and protected by cataphoresis.
- Direct control: to use only with weather protection.
- Exists with low voltage control too.
- Reducer in oil bath with helical gear.
- Reduction system fully protected by a metal or plastic cover providing maximum safety.
- Same attachment as the MANIBOX GR500 in order to facilitate its replacement.
- Single phase 230 V motor brake with permanent capacitor - 50 Hz lifting type. Class F. Protection IP 54.
- Motor power adapted to all uses, even domestic use.
- Up-down control unit emergency stop, cable 2 m.
- Limit switch as standard, very easy to adjust and extremely reliable, made especially by HUCHEZ.

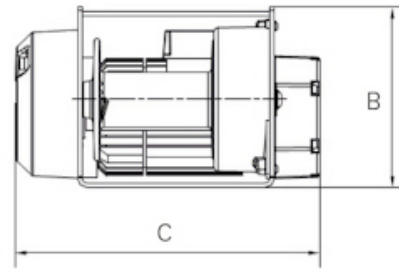
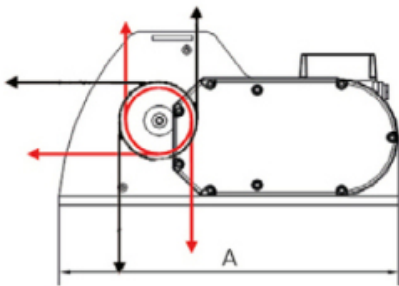
### Technical characteristics of MOTORBOX 500 kg - Direct control

Capacity 1st layer kg	500
Capacity top layer kg	500
Nb of layers	3
Wire rope cap. 1st layer m	4
Max. rope capacity m	13.5
Wire rope Ø mm	6
Fixed speed 1st layer m/min	2.6
Fixed speed top layer m/min	3.6

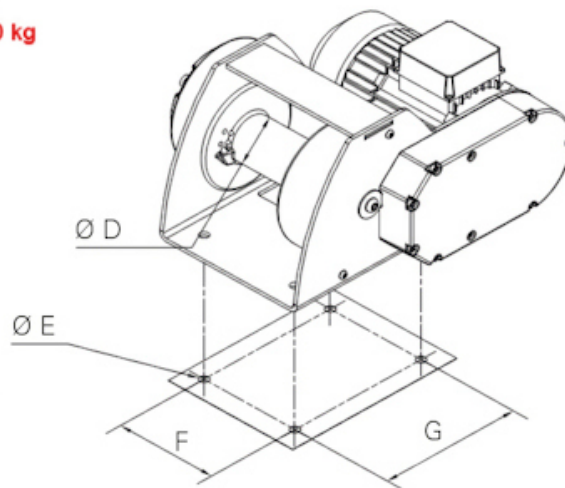
FEM	1Dm
Motor kW	0.37
Power	1Ph-230V
Weight (without wire rope) kg	27

## Dimensions

A mm	390
B mm	205
C mm	341
D mm	Ø 63.5
E mm	Ø 13
F mm	144
G mm	200



— Motorbox 150 kg  
— Motorbox 300/500 kg



## Technical characteristics of the other models of the range

References	MOTORBOX150	MOTORBOX300	MOTORBOX500
Capacity 1st layer kg	150	300	<b>500</b>
Capacity top layer kg	150	300	<b>500</b>
Nb of layers	3	3	<b>3</b>
Wire rope cap. 1st layer m	4	4	<b>4</b>
Max. rope capacity m	15	16	<b>13.5</b>
Wire rope Ø mm	4	5	<b>6</b>
Fixed speed 1st layer m/min	5.5	4.6	<b>2.6</b>
Fixed speed top layer m/min	7	5.9	<b>3.6</b>
FEM	1Ph-230V	1Dm	<b>1Dm</b>
Motor kW	1dM	0.37	<b>0.37</b>
Power	0.25	1Ph-230V	<b>1Ph-230V</b>
Weight kg			



### HUCHEZ's advice

This manual "motorised" winch is the ideal solution to replace a manual winch at a reasonable cost. Motor power adapted to all uses, even domestic use. Its helps reduce musculo-skeletal disorders (MSD).



HUCHEZ  
 4, rue Michel HAMMID  
 60420 FERRIERES – France  
 +33 (0) 3 44 51 11 33  
[www.huchez.com](http://www.huchez.com)  
[contact@huchez.fr](mailto:contact@huchez.fr)



SERVICE CLIENTS  
 ATENCIO AL CLIENTE  
 KUNDENSERVICE



Pour en savoir plus, n'hésitez pas à nous contacter!  
 To know more, please contact us!  
 Para más información, póngase en contacto con nosotros!  
 Für weitere Informationen können Sie sich gerne an uns wenden!