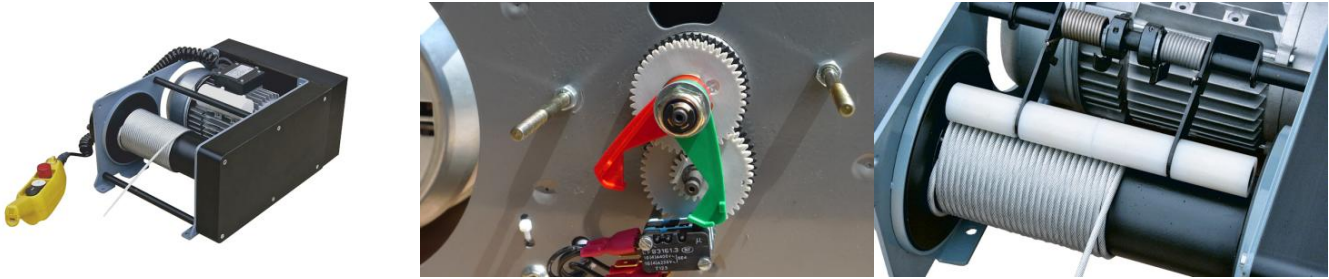


PRIMO 300 kg - Low voltage control, three phase



Electric winch 300 kg. Economical range subject to the same quality standard as the TRBoxter range.

Use:

- Simple lifting and pulling/hauling operations
- Intermediate operating factor
- Boat hauling
- Lifting doors, hatches...
- Freight lifts
- Traps opening
- Theatre applications
- Swimming pool roofs...

Comply with Directive Machines 2006/42/EC and standard NF E N 14492-1.

Technical properties

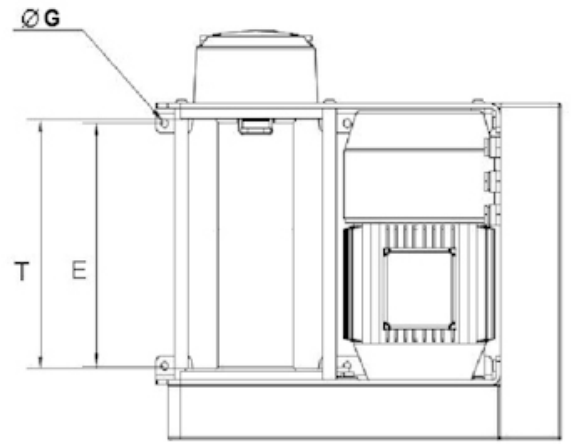
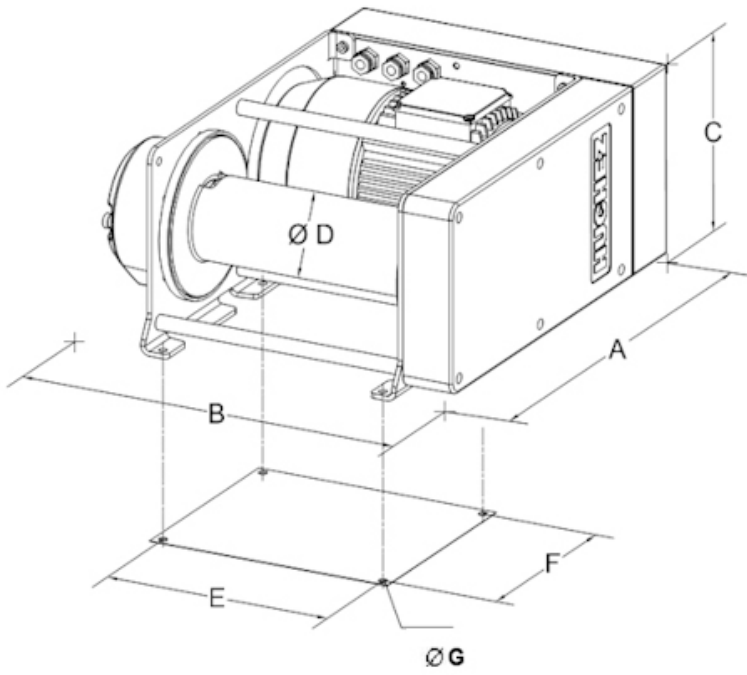
- Steel rigid structure.
- Mechanical welded steel drum with flanges allowing a secure fastening of the wire rope.
- Mechanical parts machined and protected by cataphoresis.
- Three-phase 230/400 V motor brake - 50 Hz lifting type. P = 0.75 kW. Class F. IP 54 Protection.
- Low voltage control assuring user protection against electric risks.
- Up-down pendant control with emergency stop, cable 3 m long.
- Reducer in oil bath with helical gears.
- Limit switch as standard, very easy to adjust and extremely reliable, made specially by HUCHEZ.
- Options: rope-press roller and grooved drum.

Technical characteristics of PRIMO 300 kg - Low voltage control, three phase

Capacity 1st layer kg	360
Capacity top layer kg	300
Nb of layers	3
Wire rope cap. 1st layer m	13
Max. rope capacity m	48
Wire rope Ø mm	5
Fixed speed 1st layer m/min	7.5
Fixed speed top layer m/min	9.1
FEM	1Bm
Motor kW	0.75
Power	3Ph-230/400V
Weight (without wire rope) kg	35

Dimensions

A mm	476
B mm	422
C mm	239
D mm	Ø 89
E mm	250
F mm	214
G mm	Ø 9
T mm	257



Technical characteristics of the other models of the range

References	PRIMO301BT8	PRIMO303BT8	PRIMO501BT9	PRIMO503BT9	PRIMO991BT4
Capacity 1st layer kg	360	360	630	630	1300
Capacity top layer kg	300	300	500	500	990
Nb of layers	3	3	3	3	4
Wire rope cap. 1st layer m	13	13	10	10	13
Max. rope capacity m	48	48	38	38	68
Wire rope Ø mm	5	5	7	7	8
Fixed speed 1st layer m/min	7.5	7.5	8.6	8.6	4
Fixed speed top layer m/min	9.1	9.1	11	11	5.2
FEM	1Bm	1Bm	1Cm	1Cm	1Bm
Motor kW	0.75	0.75	1.1	1.1	1.1
Power	1Ph-230V	3Ph-230/400V	1Ph-230V	3Ph-230/400V	1Ph-230V
Weight (without wire rope) kg	35	35	40	40	88

References	PRIMO993BT4	PRIMO2003BT4
Capacity 1st layer kg	1300	2500
Capacity top layer kg	990	2000
Nb of layers	4	3
Wire rope cap. 1st layer m	13	12
Max. rope capacity m	68	45
Wire rope Ø mm	8	11.5
Fixed speed 1st layer m/min	4	4
Fixed speed top layer m/min	5.2	5.2
FEM	1Bm	1Cm
Motor kW	1.1	2.2
Power	3Ph-230/400V	3Ph-230/400V
Weight (without wire rope) kg	90	160



HUCHEZ's advice

Economical range subject to the same quality standards as the TRBoxter range.



HUCHEZ
4, rue Michel HAMMID
60420 FERRIERES – France
+33 (0) 3 44 51 11 33
www.hucchez.com
contact@hucchez.fr



SERVICE CLIENTS
ATENCIO AL CLIENTE
KUNDENSERVICE



Pour en savoir plus, n'hésitez pas à nous contacter!
To know more, please contact us!
Para más información, póngase en contacto con nosotros!
Für weitere Informationen können Sie sich gerne an uns wenden!