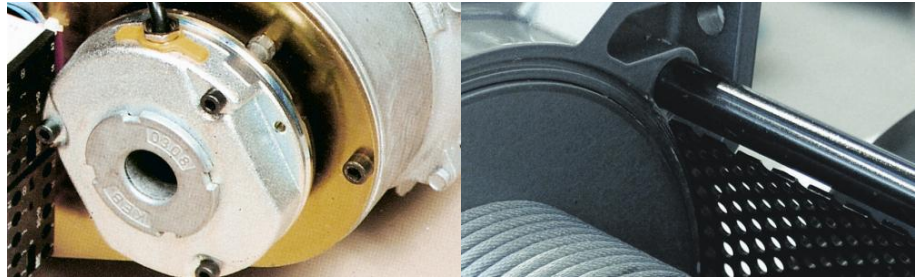
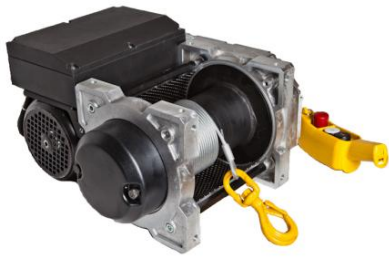


## TRBoxter 990 kg - 15 m/min, low voltage control with 1 speed, three phase



Compact electric winch 990 kg. Range of multifunctional electric winch offering many rope attachments, rope outlets and options.

Use:

- Lifting and hauling/pulling operations
- High operating factor
- Industry
- Building and public works
- Integration into many types of devices, cranes...
- Pulling carriages or wagons with a two-way system
- Installation and extraction of parts in ovens
- Hanging chandeliers
- Boat haulage
- Doors lifting, traps opening
- Material lifts
- Stage industry
- Swimming pool roofs...

Comply with Machines Directive 2006/42/EC and standard NF E N 14492-1.

### Technical properties

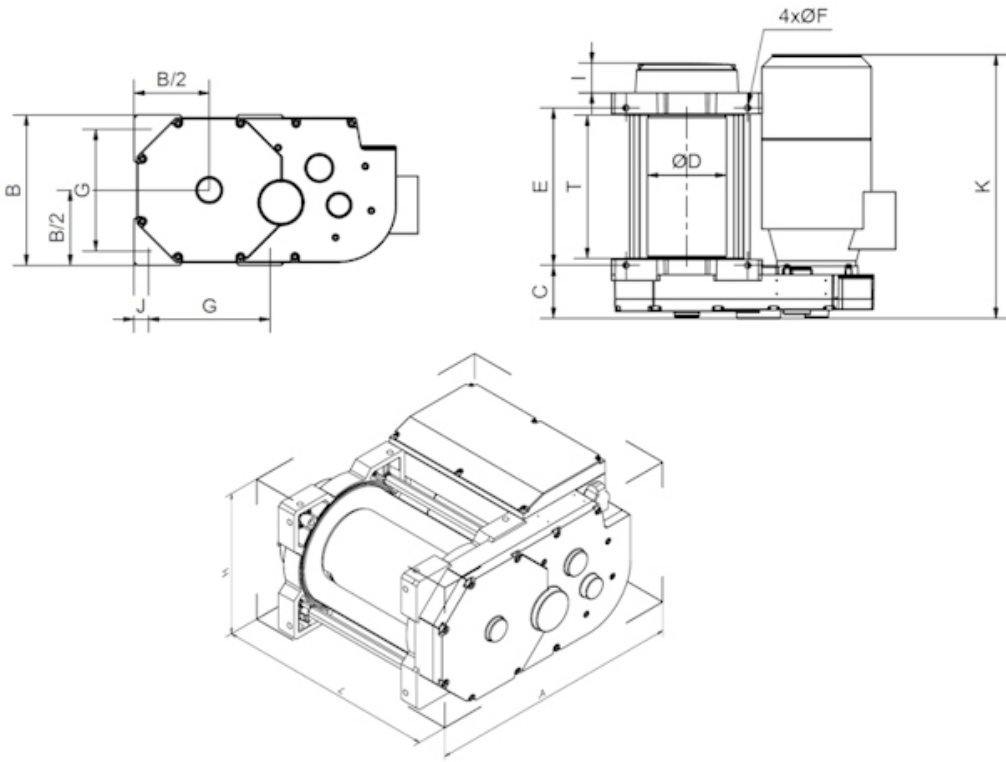
- Welded steel drum protected by perforate plate, adjustable according to the outlet of the rope. Large flanges for a large rope capacity.
- Reliable and very safe cable clamp. Caged nut for winch multi-position fixing.
- Aluminium casing.
- Robust and compact, it benefits of a high operating factor.
- Asynchronous, three phase motor 230/400 V - 50 Hz. P = 3 kW.
- The low voltage control protects the user from electrical risks. It makes it possible to operate a wide range of options: from limit switch to radio control, including a load limiter and a rope slack switch...
- Reliable electronic and electric components.
- Very low voltage, 24 V remote control with socket, IP 65 protection.
- Limit switch obligatory when lifting.
- 24 V direct current electromagnetic brake.
- Electrical equipment under sealed cover.
- Reducer sealed in oil bath with helical gears.
- Fixation points identical to the TRB model allowing old TRB to be replaced.
- Lengthened drum models: standard length of drum and drum capacity x 1,5.
- Available options: rope press-roller, grooved drum, specific paint, chassis, drum length on request, rain cover, timer, tarpauline cover...

## Technical characteristics of TRBoxter 990 kg - 15 m/min, low voltage control with 1 speed, three phase

| References                    | TRBOXTER0993BT1 |
|-------------------------------|-----------------|
| Capacity 1st layer kg         | 990             |
| Capacity top layer kg         | 990             |
| Nb of layers                  | 1               |
| Wire rope cap. 1st layer m    | 14,5            |
| Max. rope capacity m          | 14,5            |
| Wire rope Ø mm                | 9               |
| Fixed speed 1st layer m/min   | 12,1            |
| Fixed speed top layer m/min   | 12,1            |
| FEM                           | 1Bm             |
| Motor kW                      | 3               |
| Power                         | 3Ph-230/400V    |
| Weight (without wire rope) kg | 104             |

## Dimensions

| References                  | TRBOXTER0993BT1 |
|-----------------------------|-----------------|
| A mm                        | 558             |
| B mm                        | 304             |
| C mm                        | 107,5           |
| D mm                        | Ø 159           |
| E mm                        | 318             |
| F mm                        | Ø 12,5          |
| L (with limit switch) mm    | 516             |
| L (without limit switch) mm | 511             |
| G mm                        | 246             |
| H mm                        | 332,5           |
| I mm                        | 62              |
| J mm                        | 29              |
| K mm                        | 495,5           |
| M mm                        | 152             |
| N mm                        | 152             |
| T mm                        | 290             |



## Technical characteristics of the other models of the range

| References                    | TRBOXTER251BT9 | TRBOXTER251BT14 | TRBOXTER251BT21 | TRBOXTER503BT4 | TRBOXTER351BT9 |
|-------------------------------|----------------|-----------------|-----------------|----------------|----------------|
| Capacity 1st layer kg         | 290            | 290             | 290             | 600            | 400            |
| Capacity top layer kg         | 250            | 250             | 250             | 500            | 350            |
| Nb of layers                  | 3              | 3               | 3               | 3              | 3              |
| Wire rope cap. 1st layer m    | 16             | 16              | 16              | 12             | 16             |
| Max. rope capacity m          | 56             | 56              | 56              | 42             | 56             |
| Wire rope Ø mm                | 5              | 5               | 5               | 7              | 5              |
| Fixed speed 1st layer m/min   | 8,1            | 13,3            | 19,8            | 4              | 8,1            |
| Fixed speed top layer m/min   | 9,4            | 15,4            | 23              | 4,9            | 9,4            |
| FEM                           | 1Am            | 1Am             | 1Am             | 1Bm            | 1Bm            |
| Motor kW                      | 0,75           | 0,75            | 1,1             | 0,75           | 0,75           |
| Power                         | 1Ph-230V       | 1Ph-230V        | 1Ph-230V        | 3Ph-230/400V   | 1Ph-230V       |
| Weight (without wire rope) kg | 49             | 49              | 51              | 49             | 49             |

| References                    | TRBOXTER351BT14 | TRBOXTER353BT26 | TRBOXTER501BT11 | TRBOXTER503BT21 | TRBOXTER0603BT05 |
|-------------------------------|-----------------|-----------------|-----------------|-----------------|------------------|
| Capacity 1st layer kg         | 400             | 400             | 600             | 600             | 750              |
| Capacity top layer kg         | 350             | 350             | 500             | 500             | 600              |
| Nb of layers                  | 3               | 3               | 3               | 3               | 4                |
| Wire rope cap. 1st layer m    | 16              | 16              | 12              | 12              | 19               |
| Max. rope capacity m          | 56              | 56              | 42              | 42              | 93               |
| Wire rope Ø mm                | 5               | 5               | 7               | 7               | 7                |
| Fixed speed 1st layer m/min   | 13,3            | 25,7            | 10              | 20              | 4,8              |
| Fixed speed top layer m/min   | 15,4            | 29,8            | 12,2            | 24,2            | 6                |
| FEM                           | 1Bm             | 1Bm             | 1Bm             | 1Bm             | 1Am              |
| Motor kW                      | 1,1             | 2,2             | 1,1             | 2,2             | 0,75             |
| Power                         | 1Ph-230V        | 3Ph-230/400V    | 1Ph-230V        | 3Ph-230/400V    | 3Ph-230/400V     |
| Weight (without wire rope) kg | 51              | 59              | 51              | 59              | 88               |

| References                    | TRBOXTER0603BT10 | TRBOXTER603BT15 | TRBOXTER0603BT20 | TRBOXTER0603BT30 | TRBOXTER0803BT05 |
|-------------------------------|------------------|-----------------|------------------|------------------|------------------|
| Capacity 1st layer kg         | 750              | 750             | 750              | 750              | 950              |
| Capacity top layer kg         | 600              | 600             | 600              | 600              | 800              |
| Nb of layers                  | 4                | 4               | 4                | 4                | 3                |
| Wire rope cap. 1st layer m    | 19               | 19              | 19               | 19               | 16,5             |
| Max. rope capacity m          | 93               | 93              | 93               | 93               | 59               |
| Wire rope Ø mm                | 7                | 7               | 7                | 7                | 8                |
| Fixed speed 1st layer m/min   | 8,8              | 14,9            | 17,9             | 25,5             | 4,3              |
| Fixed speed top layer m/min   | 11               | 18,6            | 22,5             | 31,9             | 5,2              |
| FEM                           | 1Am              | 1Am             | 1Am              | 1Am              | 3Ph-230/400V     |
| Motor kW                      | 1,5              | 2,2             | 3                | 4                | 1Bm              |
| Power                         | 3Ph-230/400V     | 3Ph-230/400V    | 3Ph-230/400V     | 3Ph-230/400V     | 1,1              |
| Weight (without wire rope) kg | 101              | 100             | 104              | 107              | 92               |

| References                    | TRBOXTER0803BT10 | TRBOXTER0803BT13 | TRBOXTER0803BT17 | TRBOXTER0993BT05 | TRBOXTER0993BT10 |
|-------------------------------|------------------|------------------|------------------|------------------|------------------|
| Capacity 1st layer kg         | 950              | 950              | 950              | 1200             | 1100             |
| Capacity top layer kg         | 800              | 800              | 800              | 990              | 990              |
| Nb of layers                  | 3                | 3                | 3                | 3                | 2                |
| Wire rope cap. 1st layer m    | 16,5             | 16,5             | 16,5             | 14,5             | 14,5             |
| Max. rope capacity m          | 59               | 59               | 59               | 53               | 34               |
| Wire rope Ø mm                | 8                | 8                | 8                | 9                | 9                |
| Fixed speed 1st layer m/min   | 8,7              | 12               | 15               | 4,4              | 8,7              |
| Fixed speed top layer m/min   | 10,3             | 14,3             | 17,8             | 5,3              | 10,6             |
| FEM                           | 1Bm              | 1Bm              | 1Bm              | 1Bm              | 1Bm              |
| Motor kW                      | 2,2              | 3                | 4                | 1,1              | 2,2              |
| Power                         | 3Ph-230/400V     | 3Ph-230/400V     | 3Ph-230/400V     | 3Ph-230/400V     | 3Ph-230/400V     |
| Weight (without wire rope) kg | 100              | 104              | 107              | 92               | 100              |

| References                    | TRBOXTER0993BT13    | TRBOXTER0993BT17 | TRBOXTER1503BT04 | TRBOXTER1503BT09 | TRBOXTER253BT43 |
|-------------------------------|---------------------|------------------|------------------|------------------|-----------------|
| Capacity 1st layer kg         | <b>990</b>          | 990              | 1500             | 1500             | 290             |
| Capacity top layer kg         | <b>990</b>          | 990              | 1500             | 1500             | 250             |
| Nb of layers                  | <b>1</b>            | 1                | 1                | 1                | 3               |
| Wire rope cap. 1st layer m    | <b>14,5</b>         | 14,5             | 11,5             | 11,5             | 16              |
| Max. rope capacity m          | <b>14,5</b>         | 14,5             | 11,5             | 11,5             | 56              |
| Wire rope Ø mm                | <b>9</b>            | 9                | 11,5             | 11,5             | 5               |
| Fixed speed 1st layer m/min   | <b>12,1</b>         | 15,1             | 4,4              | 8,8              | 40,3            |
| Fixed speed top layer m/min   | <b>12,1</b>         | 15,1             | 4,4              | 8,8              | 46,6            |
| FEM                           | <b>1Bm</b>          | 1Cm              | 1Bm              | 3Ph-230/400V     | 1Am             |
| Motor kW                      | <b>3</b>            | 4                | 1,5              | 1Cm              | 1,1             |
| Power                         | <b>3Ph-230/400V</b> | 3Ph-230/400V     | 3Ph-230/400V     | 3                | 3Ph-230/400V    |
| Weight (without wire rope) kg | <b>104</b>          | 108              | 101              | 104              | 59              |

| References                    | TRBOXTER253BT9 | TRBOXTER253BT14 | TRBOXTER253BT21 | TRBOXTER353BT9 | TRBOXTER353BT14 |
|-------------------------------|----------------|-----------------|-----------------|----------------|-----------------|
| Capacity 1st layer kg         | 290            | 290             | 290             | 400            | 400             |
| Capacity top layer kg         | 250            | 250             | 250             | 350            | 350             |
| Nb of layers                  | 3              | 3               | 3               | 3              | 3               |
| Wire rope cap. 1st layer m    | 16             | 16              | 16              | 16             | 16              |
| Max. rope capacity m          | 56             | 56              | 56              | 56             | 56              |
| Wire rope Ø mm                | 5              | 5               | 5               | 5              | 5               |
| Fixed speed 1st layer m/min   | 8,1            | 13,3            | 19,8            | 8,1            | 13,3            |
| Fixed speed top layer m/min   | 9,4            | 15,4            | 23              | 9,4            | 15,4            |
| FEM                           | 1Am            | 1Am             | 1Am             | 1Bm            | 1Bm             |
| Motor kW                      | 0,75           | 0,75            | 1,1             | 0,75           | 1,1             |
| Power                         | 3Ph-230/400V   | 3Ph-230/400V    | 3Ph-230/400V    | 3Ph-230/400V   | 3Ph-230/400V    |
| Weight (without wire rope) kg | 49             | 49              | 51              | 49             | 51              |

| References                    | TRBOXTER503BT11 | TRBOXTER501BT11ST | TRBOXTER503BT11ST |
|-------------------------------|-----------------|-------------------|-------------------|
|                               |                 | OCK               | OCK               |
| Capacity 1st layer kg         | 600             | 600               | 600               |
| Capacity top layer kg         | 500             | 500               | 500               |
| Nb of layers                  | 3               | 3                 | 3                 |
| Wire rope cap. 1st layer m    | 12              | 12                | 12                |
| Max. rope capacity m          | 42              | 42                | 42                |
| Wire rope Ø mm                | 7               | 7                 | 7                 |
| Fixed speed 1st layer m/min   | 10              | 10                | 10                |
| Fixed speed top layer m/min   | 12,2            | 12,2              | 12,2              |
| FEM                           | 1Bm             | 1Bm               | 1Bm               |
| Motor kW                      | 1,1             | 1,1               | 1,1               |
| Power                         | 3Ph-230/400V    | 1Ph-230V          | 3Ph-230/400V      |
| Weight (without wire rope) kg | 51              | 51                | 51                |



### HUCHEZ's advice

Fixation points identical to the TRB model allowing old TRB to be replaced, many rope attachments, rope outlets and options.



HUCHEZ  
 4, rue Michel HAMMID  
 60420 FERRIERES – France  
 ☎ +33 (0) 3 44 51 11 33  
 🌐 [www.huchez.com](http://www.huchez.com)  
 ✉ [contact@huchez.fr](mailto:contact@huchez.fr)



SERVICE CLIENTS  
 ATENCIO AL CLIENTE  
 KUNDENSERVICE



Pour en savoir plus, n'hésitez pas à nous contacter!  
 To know more, please contact us!  
 Para más información, póngase en contacto con nosotros!  
 Für weitere Informationen können Sie sich gerne an uns wenden!