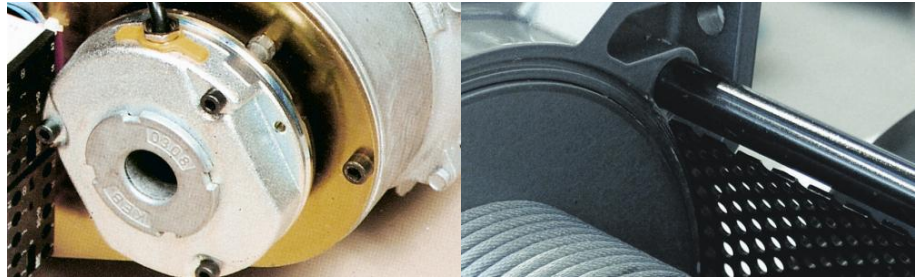


TRBoxter 800 kg - 5 m/min, low voltage control with 1 speed, three phase



Compact electric winch 800 kg. Range of multifunctional electric winch offering many rope attachments, rope outlets and options.

Use:

- Lifting and hauling/pulling operations
- High operating factor
- Industry
- Building and public works
- Integration into many types of devices, cranes...
- Pulling carriages or wagons with a two-way system
- Installation and extraction of parts in ovens
- Hanging chandeliers
- Boat haulage
- Doors lifting, traps opening
- Material lifts
- Stage industry
- Swimming pool roofs...

Comply with Machines Directive 2006/42/EC and standard NF E N 14492-1.

Technical properties

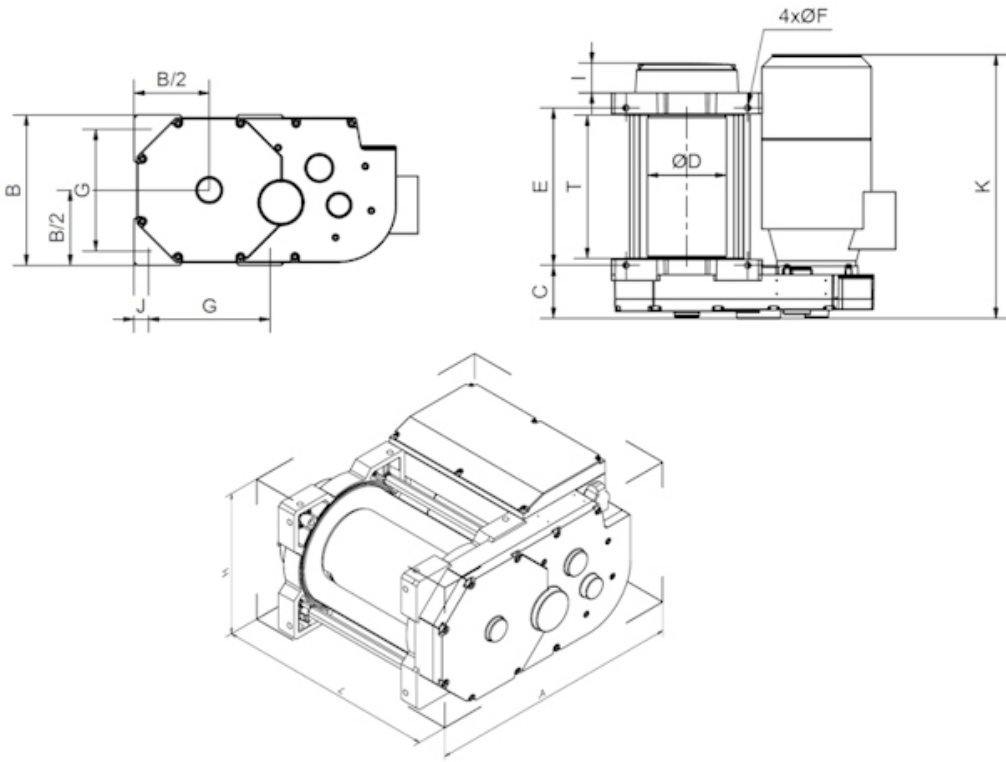
- Welded steel drum protected by perforate plate, adjustable according to the outlet of the rope. Large flanges for a large rope capacity.
- Reliable and very safe cable clamp. Caged nut for winch multi-position fixing.
- Aluminium casing.
- Robust and compact, it benefits of a high operating factor.
- Asynchronous, three phase motor 230/400 V - 50 Hz. P = 1,1 kW.
- The low voltage control protects the user from electrical risks. It makes it possible to operate a wide range of options: from limit switch to radio control, including a load limiter and a rope slack switch...
- Reliable electronic and electric components.
- Very low voltage, 24 V remote control with socket, IP 65 protection.
- Limit switch obligatory when lifting.
- 24 V direct current electromagnetic brake.
- Electrical equipment under sealed cover.
- Reducer sealed in oil bath with helical gears.
- Fixation points identical to the TRB model allowing old TRB to be replaced.
- Lengthened drum models: standard length of drum and drum capacity x 1,5.
- Available options: rope press-roller, grooved drum, specific paint, chassis, drum length on request, rain cover, timer, tarpauline cover...

Technical characteristics of TRBoxter 800 kg - 5 m/min, low voltage control with 1 speed, three phase

| References | TRBOXTER0803BT0 |
|-------------------------------|-----------------|
| Capacity 1st layer kg | 950 |
| Capacity top layer kg | 800 |
| Nb of layers | 3 |
| Wire rope cap. 1st layer m | 16,5 |
| Max. rope capacity m | 59 |
| Wire rope Ø mm | 8 |
| Fixed speed 1st layer m/min | 4,3 |
| Fixed speed top layer m/min | 5,2 |
| FEM | 3Ph-230/400V |
| Motor kW | 1Bm |
| Power | 1,1 |
| Weight (without wire rope) kg | 92 |

Dimensions

| References | TRBOXTER0803BT0 |
|-----------------------------|-----------------|
| A mm | 543 |
| B mm | 304 |
| C mm | 107,5 |
| D mm | Ø 159 |
| E mm | 318 |
| F mm | Ø 12,5 |
| L (with limit switch) mm | 516 |
| L (without limit switch) mm | 456 |
| G mm | 246 |
| H mm | 332,5 |
| I mm | 62 |
| J mm | 29 |
| K mm | 495,5 |
| M mm | 152 |
| N mm | 152 |
| T mm | 290 |



Technical characteristics of the other models of the range

| References | TRBOXTER251BT9 | TRBOXTER251BT14 | TRBOXTER251BT21 | TRBOXTER503BT4 | TRBOXTER351BT9 |
|-------------------------------|----------------|-----------------|-----------------|----------------|----------------|
| Capacity 1st layer kg | 290 | 290 | 290 | 600 | 400 |
| Capacity top layer kg | 250 | 250 | 250 | 500 | 350 |
| Nb of layers | 3 | 3 | 3 | 3 | 3 |
| Wire rope cap. 1st layer m | 16 | 16 | 16 | 12 | 16 |
| Max. rope capacity m | 56 | 56 | 56 | 42 | 56 |
| Wire rope Ø mm | 5 | 5 | 5 | 7 | 5 |
| Fixed speed 1st layer m/min | 8,1 | 13,3 | 19,8 | 4 | 8,1 |
| Fixed speed top layer m/min | 9,4 | 15,4 | 23 | 4,9 | 9,4 |
| FEM | 1Am | 1Am | 1Am | 1Bm | 1Bm |
| Motor kW | 0,75 | 0,75 | 1,1 | 0,75 | 0,75 |
| Power | 1Ph-230V | 1Ph-230V | 1Ph-230V | 3Ph-230/400V | 1Ph-230V |
| Weight (without wire rope) kg | 49 | 49 | 51 | 49 | 49 |

| References | TRBOXTER351BT14 | TRBOXTER353BT26 | TRBOXTER501BT11 | TRBOXTER503BT21 | TRBOXTER0603BT05 |
|-------------------------------|-----------------|-----------------|-----------------|-----------------|------------------|
| Capacity 1st layer kg | 400 | 400 | 600 | 600 | 750 |
| Capacity top layer kg | 350 | 350 | 500 | 500 | 600 |
| Nb of layers | 3 | 3 | 3 | 3 | 4 |
| Wire rope cap. 1st layer m | 16 | 16 | 12 | 12 | 19 |
| Max. rope capacity m | 56 | 56 | 42 | 42 | 93 |
| Wire rope Ø mm | 5 | 5 | 7 | 7 | 7 |
| Fixed speed 1st layer m/min | 13,3 | 25,7 | 10 | 20 | 4,8 |
| Fixed speed top layer m/min | 15,4 | 29,8 | 12,2 | 24,2 | 6 |
| FEM | 1Bm | 1Bm | 1Bm | 1Bm | 1Am |
| Motor kW | 1,1 | 2,2 | 1,1 | 2,2 | 0,75 |
| Power | 1Ph-230V | 3Ph-230/400V | 1Ph-230V | 3Ph-230/400V | 3Ph-230/400V |
| Weight (without wire rope) kg | 51 | 59 | 51 | 59 | 88 |

| References | TRBOXTER0603BT10 | TRBOXTER603BT15 | TRBOXTER0603BT20 | TRBOXTER0603BT30 | TRBOXTER0803BT05 |
|-------------------------------|------------------|-----------------|------------------|------------------|---------------------|
| Capacity 1st layer kg | 750 | 750 | 750 | 750 | 950 |
| Capacity top layer kg | 600 | 600 | 600 | 600 | 800 |
| Nb of layers | 4 | 4 | 4 | 4 | 3 |
| Wire rope cap. 1st layer m | 19 | 19 | 19 | 19 | 16,5 |
| Max. rope capacity m | 93 | 93 | 93 | 93 | 59 |
| Wire rope Ø mm | 7 | 7 | 7 | 7 | 8 |
| Fixed speed 1st layer m/min | 8,8 | 14,9 | 17,9 | 25,5 | 4,3 |
| Fixed speed top layer m/min | 11 | 18,6 | 22,5 | 31,9 | 5,2 |
| FEM | 1Am | 1Am | 1Am | 1Am | 3Ph-230/400V |
| Motor kW | 1,5 | 2,2 | 3 | 4 | 1Bm |
| Power | 3Ph-230/400V | 3Ph-230/400V | 3Ph-230/400V | 3Ph-230/400V | 1,1 |
| Weight (without wire rope) kg | 101 | 100 | 104 | 107 | 92 |

| References | TRBOXTER0803BT10 | TRBOXTER0803BT13 | TRBOXTER0803BT17 | TRBOXTER0993BT05 | TRBOXTER0993BT10 |
|-------------------------------|------------------|------------------|------------------|------------------|------------------|
| Capacity 1st layer kg | 950 | 950 | 950 | 1200 | 1100 |
| Capacity top layer kg | 800 | 800 | 800 | 990 | 990 |
| Nb of layers | 3 | 3 | 3 | 3 | 2 |
| Wire rope cap. 1st layer m | 16,5 | 16,5 | 16,5 | 14,5 | 14,5 |
| Max. rope capacity m | 59 | 59 | 59 | 53 | 34 |
| Wire rope Ø mm | 8 | 8 | 8 | 9 | 9 |
| Fixed speed 1st layer m/min | 8,7 | 12 | 15 | 4,4 | 8,7 |
| Fixed speed top layer m/min | 10,3 | 14,3 | 17,8 | 5,3 | 10,6 |
| FEM | 1Bm | 1Bm | 1Bm | 1Bm | 1Bm |
| Motor kW | 2,2 | 3 | 4 | 1,1 | 2,2 |
| Power | 3Ph-230/400V | 3Ph-230/400V | 3Ph-230/400V | 3Ph-230/400V | 3Ph-230/400V |
| Weight (without wire rope) kg | 100 | 104 | 107 | 92 | 100 |

| References | TRBOXTER0993BT13 | TRBOXTER0993BT17 | TRBOXTER1503BT04 | TRBOXTER1503BT09 | TRBOXTER253BT43 |
|-------------------------------|------------------|------------------|------------------|------------------|-----------------|
| Capacity 1st layer kg | 990 | 990 | 1500 | 1500 | 290 |
| Capacity top layer kg | 990 | 990 | 1500 | 1500 | 250 |
| Nb of layers | 1 | 1 | 1 | 1 | 3 |
| Wire rope cap. 1st layer m | 14,5 | 14,5 | 11,5 | 11,5 | 16 |
| Max. rope capacity m | 14,5 | 14,5 | 11,5 | 11,5 | 56 |
| Wire rope Ø mm | 9 | 9 | 11,5 | 11,5 | 5 |
| Fixed speed 1st layer m/min | 12,1 | 15,1 | 4,4 | 8,8 | 40,3 |
| Fixed speed top layer m/min | 12,1 | 15,1 | 4,4 | 8,8 | 46,6 |
| FEM | 1Bm | 1Cm | 1Bm | 3Ph-230/400V | 1Am |
| Motor kW | 3 | 4 | 1,5 | 1Cm | 1,1 |
| Power | 3Ph-230/400V | 3Ph-230/400V | 3Ph-230/400V | 3 | 3Ph-230/400V |
| Weight (without wire rope) kg | 104 | 108 | 101 | 104 | 59 |

| References | TRBOXTER253BT9 | TRBOXTER253BT14 | TRBOXTER253BT21 | TRBOXTER353BT9 | TRBOXTER353BT14 |
|-------------------------------|----------------|-----------------|-----------------|----------------|-----------------|
| Capacity 1st layer kg | 290 | 290 | 290 | 400 | 400 |
| Capacity top layer kg | 250 | 250 | 250 | 350 | 350 |
| Nb of layers | 3 | 3 | 3 | 3 | 3 |
| Wire rope cap. 1st layer m | 16 | 16 | 16 | 16 | 16 |
| Max. rope capacity m | 56 | 56 | 56 | 56 | 56 |
| Wire rope Ø mm | 5 | 5 | 5 | 5 | 5 |
| Fixed speed 1st layer m/min | 8,1 | 13,3 | 19,8 | 8,1 | 13,3 |
| Fixed speed top layer m/min | 9,4 | 15,4 | 23 | 9,4 | 15,4 |
| FEM | 1Am | 1Am | 1Am | 1Bm | 1Bm |
| Motor kW | 0,75 | 0,75 | 1,1 | 0,75 | 1,1 |
| Power | 3Ph-230/400V | 3Ph-230/400V | 3Ph-230/400V | 3Ph-230/400V | 3Ph-230/400V |
| Weight (without wire rope) kg | 49 | 49 | 51 | 49 | 51 |

| References | TRBOXTER503BT11 | TRBOXTER501BT11ST | TRBOXTER503BT11ST |
|-------------------------------|-----------------|-------------------|-------------------|
| | | OCK | OCK |
| Capacity 1st layer kg | 600 | 600 | 600 |
| Capacity top layer kg | 500 | 500 | 500 |
| Nb of layers | 3 | 3 | 3 |
| Wire rope cap. 1st layer m | 12 | 12 | 12 |
| Max. rope capacity m | 42 | 42 | 42 |
| Wire rope Ø mm | 7 | 7 | 7 |
| Fixed speed 1st layer m/min | 10 | 10 | 10 |
| Fixed speed top layer m/min | 12,2 | 12,2 | 12,2 |
| FEM | 1Bm | 1Bm | 1Bm |
| Motor kW | 1,1 | 1,1 | 1,1 |
| Power | 3Ph-230/400V | 1Ph-230V | 3Ph-230/400V |
| Weight (without wire rope) kg | 51 | 51 | 51 |



HUCHEZ's advice

Fixation points identical to the TRB model allowing old TRB to be replaced, many rope attachments, rope outlets and options.



HUCHEZ
 4, rue Michel HAMMID
 60420 FERRIERES – France
 ☎ +33 (0) 3 44 51 11 33
 🌐 www.huchez.com
 ✉ contact@huchez.fr



SERVICE CLIENTS
 ATENCIO AL CLIENTE
 KUNDENSERVICE



Pour en savoir plus, n'hésitez pas à nous contacter!
 To know more, please contact us!
 Para más información, póngase en contacto con nosotros!
 Für weitere Informationen können Sie sich gerne an uns wenden!