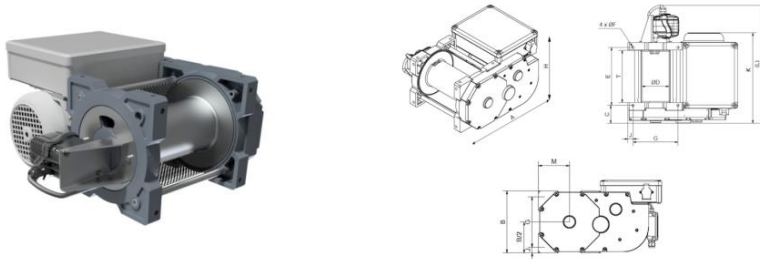


TRBoxter INOX stainless steel version 750 kg, single phase



- Range of electric winches designed for simple lifting and pulling applications in a corrosive environment.

Technical properties

- Stainless steel drum (316 L).
- Very low voltage control ensuring user protection against electric risks.
- Aluminium casing (coated with marine paint C4).
- Up--down pendant control with emergency stop, not removable, cable 3 m long, IP 66. Marine type electric cable (without halogen). Harting type plug, IP 66.
- IP 66 control box.
- Single phase motor brake 230 V or three-phase motor brake 230/400 V, 50 Hz, lifting type, P = 1.1 kW. Isolation class F. IP 66.
- Reducer in oil bath with helical gears.
- Mechanically welded drum with wide flanges for allowing a secure fastening of the wire rope.
- Lengthened drum on request.
- Limit switch IP 66/67 in option.
- Rope press roll, rope slack switch and grooved drum on request.
- Many adaptable options (contact us).

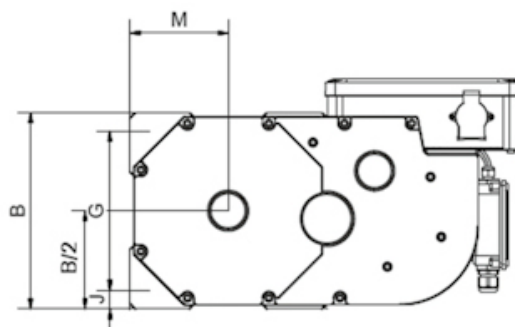
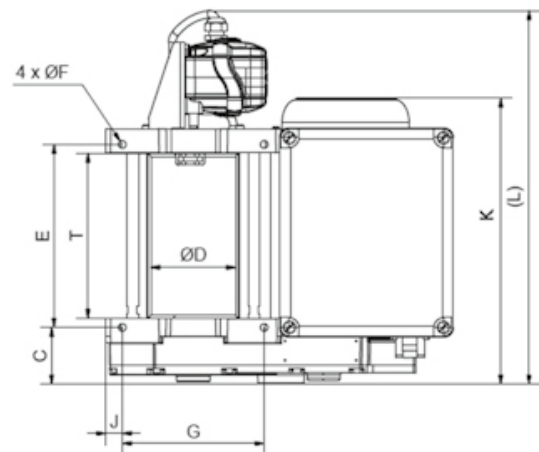
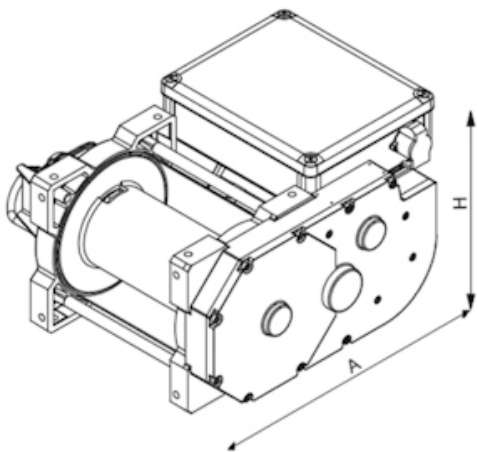
Technical characteristics of TRBoxter INOX stainless steel version 750 kg, single phase

References	TRBOXTER0751BT0
Capacity 1st layer kg	900
Capacity top layer kg	750
Nb of layers	3
Wire rope cap. 1st layer m	15
Max. rope capacity m	53
Wire rope Ø mm	9
Speed 1st layer m/mn	5,5
Speed top layer m/mn	6,5
FEM	1Am

Motor kW	1,1
Power	1Ph-230V
Weight (without cable) kg	95

Dimensions

References	TRBOXTER0751BT0
A mm	540
B mm	304
C mm	107,5
D mm	140-150
E mm	318
F mm	12,5
G mm	246
H mm	332,5
J mm	29
K mm	456
L mm	608 (with limit switch)
T mm	290



Technical characteristics of the other models of the range

References	TRBOXTER251BT20_I	TRBOXTER501BT10_I	TRBOXTER0751BT05_	TRBOXTER0991BT05_	TRBOXTER253BT20_I
	NOX	NOX	INOX	INOX	NOX
Capacity 1st layer kg	300	500	900	990	300
Capacity top layer kg	250	500	750	990	250
Nb of layers	3	3	3	3	3
Wire rope cap. 1st layer m	15	11	15	13	15
Max. rope capacity m	54	40	53	48	54
Wire rope Ø mm	5	7	9	10	5
Speed 1st layer m/mn	19	10	5,5	4	19
Speed top layer m/mn	22	12	6,5	5	22
FEM	1Am	1Bm	1Am	1Bm	1Am
Motor kW	1,1	1,1	1,1	1,1	1,1
Power	1Ph-230V	1Ph-230V	1Ph-230V	1Ph-230V	3Ph-230/400V
Weight (without cable) kg	55	55	95	95	55

References	TRBOXTER503BT10_I	TRBOXTER0753BT05_	TRBOXTER0993BT05_
	NOX	INOX	INOX
Capacity 1st layer kg	500	900	990
Capacity top layer kg	500	750	990
Nb of layers	3	3	3
Wire rope cap. 1st layer m	11	15	13
Max. rope capacity m	40	53	48
Wire rope Ø mm	7	9	10
Speed 1st layer m/mn	10	5,5	4
Speed top layer m/mn	12	6,5	5
FEM	1Bm	1Am	1Bm
Motor kW	1,1	1,1	1,1
Power	3Ph-230/400V	3Ph-230/400V	3Ph-230/400V
Weight (without cable) kg	55	95	95



HUCHEZ
4, rue Michel HAMMID
60420 FERRIERES – France
+33 (0) 3 44 51 11 33
www.huchez.com
contact@huchez.fr



SERVICE CLIENTS
ATENCIO AL CLIENTE
KUNDENSERVICE



Pour en savoir plus, n'hésitez pas à nous contacter!
To know more, please contact us!
Para más información, póngase en contacto con nosotros!
Für weitere Informationen können Sie sich gerne an uns wenden!