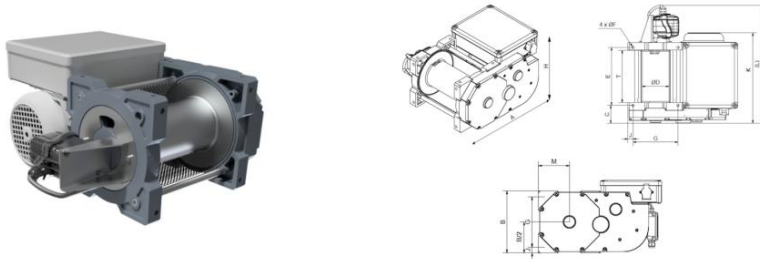


## TRBoxter INOX stainless steel version 250 kg, single phase



- Range of electric winches designed for simple lifting and pulling applications in a corrosive environment.

### Technical properties

- Stainless steel drum (316 L).
- Very low voltage control ensuring user protection against electric risks.
- Aluminium casing (coated with marine paint C4).
- Up--down pendant control with emergency stop, not removable, cable 3 m long, IP 66. Marine type electric cable (without halogen). Harting type plug, IP 66.
- IP 66 control box.
- Single phase motor brake 230 V, 50 Hz, lifting type, P = 1.1 kW. Isolation class F. IP 66.
- Reducer in oil bath with helical gears.
- Mechanically welded drum with wide flanges for allowing a secure fastening of the wire rope.
- Lengthened drum on request.
- Limit switch IP 66/67 in option.
- Rope press roll, rope slack switch and grooved drum on request.
- Many adaptable options (contact us).

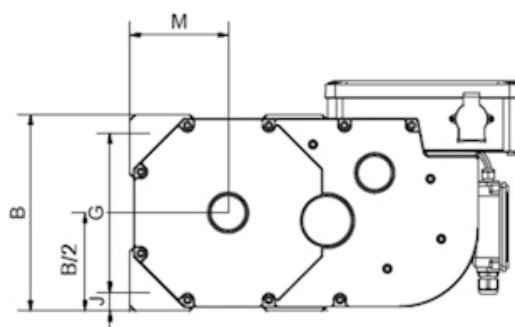
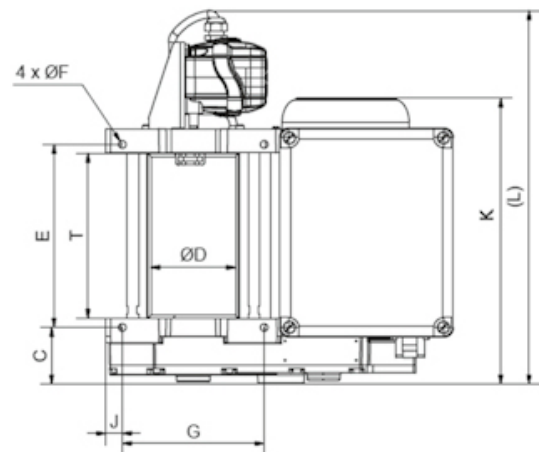
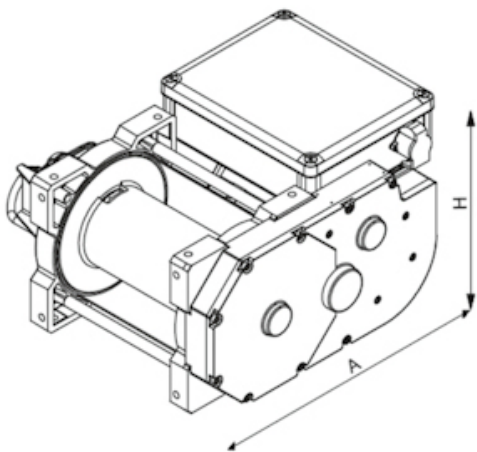
### Technical characteristics of TRBoxter INOX stainless steel version 250 kg, single phase

References	TRBOXTER251BT20
Capacity 1st layer kg	300
Capacity top layer kg	250
Nb of layers	3
Wire rope cap. 1st layer m	15
Max. rope capacity m	54
Wire rope Ø mm	5
Speed 1st layer m/mn	19
Speed top layer m/mn	22
FEM	1Am

Motor kW	1,1
Power	1Ph-230V
Weight (without cable) kg	55

## Dimensions

References	TRBOXTER251BT20
A mm	452
B mm	243
C mm	79
D mm	118
E mm	255
F mm	10,5
G mm	197
H mm	284,5
J mm	23
K mm	356
L mm	545 (with limit switch)
T mm	230



## Technical characteristics of the other models of the range

References	TRBOXTER251BT20_I	TRBOXTER501BT10_I	TRBOXTER0751BT05_	TRBOXTER0991BT05_	TRBOXTER253BT20_I
	NOX	NOX	INOX	INOX	NOX
Capacity 1st layer kg	300	500	900	990	300
Capacity top layer kg	250	500	750	990	250
Nb of layers	3	3	3	3	3
Wire rope cap. 1st layer m	15	11	15	13	15
Max. rope capacity m	54	40	53	48	54
Wire rope Ø mm	5	7	9	10	5
Speed 1st layer m/mn	19	10	5,5	4	19
Speed top layer m/mn	22	12	6,5	5	22
FEM	1Am	1Bm	1Am	1Bm	1Am
Motor kW	1,1	1,1	1,1	1,1	1,1
Power	1Ph-230V	1Ph-230V	1Ph-230V	1Ph-230V	3Ph-230/400V
Weight (without cable) kg	55	55	95	95	55

References	TRBOXTER503BT10_I	TRBOXTER0753BT05_	TRBOXTER0993BT05_
	NOX	INOX	INOX
Capacity 1st layer kg	500	900	990
Capacity top layer kg	500	750	990
Nb of layers	3	3	3
Wire rope cap. 1st layer m	11	15	13
Max. rope capacity m	40	53	48
Wire rope Ø mm	7	9	10
Speed 1st layer m/mn	10	5,5	4
Speed top layer m/mn	12	6,5	5
FEM	1Bm	1Am	1Bm
Motor kW	1,1	1,1	1,1
Power	3Ph-230/400V	3Ph-230/400V	3Ph-230/400V
Weight (without cable) kg	55	95	95



HUCHEZ  
4, rue Michel HAMMID  
60420 FERRIERES – France  
+33 (0) 3 44 51 11 33  
www.huchez.com  
contact@huchez.fr



SERVICE CLIENTS  
ATENCIO AL CLIENTE  
KUNDENSERVICE



Pour en savoir plus, n'hésitez pas à nous contacter!  
To know more, please contact us!  
Para más información, póngase en contacto con nosotros!  
Für weitere Informationen können Sie sich gerne an uns wenden!