

TRAKZIO 1300 kg - 13 m/min, 3Ph



Electric winch 1300 kg. Range of electric winches with a large winding capacity allowing them to address a wide range of uses. For pulling/hauling applications only.

Use:

- Pulling/Hauling applications only
- Industry
- Building and public works
- Launch of bridges
- Rail: moving wagons or trains
- Heavy loads pulling
- Conveyor belt tensioning

Made in France. Comply with Machines directive 2006/42/EC.

Technical properties

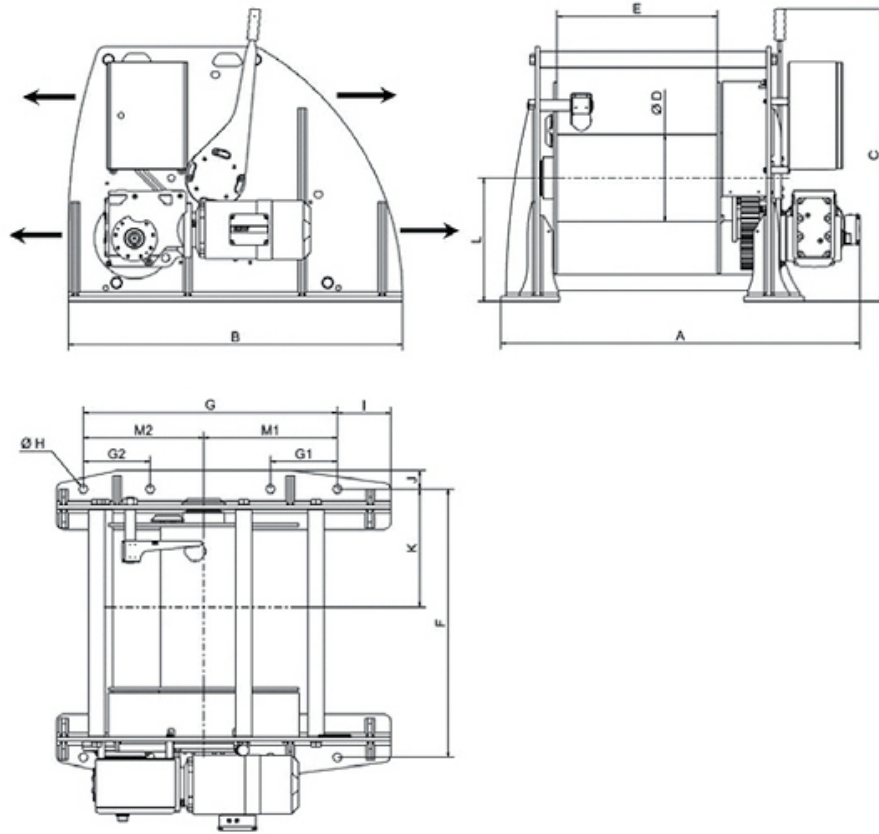
- Rugged and reliable parts.
- Wall mounting possibility.
- Steel mechano-welded structure shot-blasted and painted.
- Automatic lack of current brake.
- Asynchronous motor. IP 54 Protection.
- 230/400 V - 50 Hz three-phase motor. P = 3 kW.
- Electric control box mounted on the winch and 3 dead turns detector limit switch included.
- Low voltage control protects the user from electrical risks : model with frequency inverter. Models with 1 speed available. Models with Dynamic Power Optimization (DPO) available: consult us.
- Reliable electric and electronic components.
- Manual drum release when no load, ergonomic and secure.
- Thermal circuit breaker.
- Limit switch optional.
- 3 buttons pendant control (Wind - Unwind - Emergency stop), removable (3 m long cable).
- Standard drum length: 600 mm.
- Options available: bottom frame, tubular protection, radio control... : consult us.

Technical characteristics of TRAKZIO 1300 kg - 13 m/min, 3Ph

References	TRAKZIO_1300S13
Capacity 1st layer kg	1300
Capacity top layer kg	1000
Nb of layers	5
Wire rope cap. 1st layer m	45
Max. rope capacity m	275
Wire rope Ø mm	8
Maxi. speed 1st layer m/min	1-10
Maxi. speed top layer m/min	1,3-13
Motor kW	3
Power	3Ph-230/400V
Weight kg	235

Dimensions

References	TRAKZIO_1300S13
A mm	1088
B mm	720
C mm	545
D mm	Ø 203
E mm	600
F mm	665
G mm	570
H mm	4 x Ø18
I mm	75



Technical characteristics of the other models of the range

References	TRAKZIO_1300S06VV1	TRAKZIO_1300S06VV	TRAKZIO_1300S13VV	TRAKZIO2100S6VV1	TRAKZIO_2100S05VV
Capacity 1st layer kg	1300	1300	1300	2100	2100
Capacity top layer kg	1000	1000	1000	1500	1500
Nb of layers	5	5	5	5	5
Wire rope cap. 1st layer m	45	45	45	30	30
Max. rope capacity m	275	275	275	200	200
Wire rope Ø mm	8	8	8	12	12
Maxi. speed 1st layer m/min	0,5-5	0,5-5	1-10	0,3-3,5	0,3-3,5
Maxi. speed top layer m/min	0,6-6	0,6-6	1,3-13	0,5-5	0,5-5
Motor kW	2,2	2,2	3	2,2	2,2
Power	1Ph-230V	3Ph-230/400V	3Ph-230/400V	1Ph-230V	3Ph-230/400V
Weight kg	235	235	235	235	235

References	TRAKZIO_2100S12VV	TRAKZIO_2400S06VV1	TRAKZIO_2400S06VV	TRAKZIO_2400S12VV	TRAKZIO_4200S04VV1
Capacity 1st layer kg	2100	2400	2400	2400	4200
Capacity top layer kg	1500	1900	1900	1900	3200
Nb of layers	5	5	5	5	5
Wire rope cap. 1st layer m	30	48	48	48	44
Max. rope capacity m	200	290	290	290	270
Wire rope Ø mm	12	12	12	12	13
Maxi. speed 1st layer m/min	0,8-8,5	0,5-5	0,5-5	0,9-9	0,3-3
Maxi. speed top layer m/min	1,2-12	0,5-5	0,5-5	1,2-12	0,4-4
Motor kW	5,5	2,2	2,2	4	2,2
Power	3Ph-230/400V	1Ph-230V	3Ph-230/400V	3Ph-230/400V	1Ph-230V
Weight kg	240	915	915	945	925

References	TRAKZIO_4200S04VV	TRAKZIO_4200S07VV	TRAKZIO6500S2VV1	TRAKZIO6500S2VV	TRAKZIO6500S4VV
Capacity 1st layer kg	4200	4200	6500	6500	6500
Capacity top layer kg	3200	3200	4600	4600	4600
Nb of layers	5	5	5	5	5
Wire rope cap. 1st layer m	44	44	32	32	32
Max. rope capacity m	270	270	210	210	210
Wire rope Ø mm	13	13	18	18	18
Maxi. speed 1st layer m/min	0,3-3	0,5-5,5	0,2-2	0,2-2	0,3-3
Maxi. speed top layer m/min	0,4-4	0,7-7	0,2-2,5	0,2-2,5	0,4-4
Motor kW	2,2	4	2,2	2,2	4
Power	3Ph-230/400V	3Ph-230/400V	1Ph-230V	3Ph-230/400V	3Ph-230/400V
Weight kg	925	945	955	955	975

References	TRAKZIO6500S9VV	TRAKZIO10000S4VV	TRAKZIO15000S6VV
Capacity 1st layer kg	6500	10000	15000
Capacity top layer kg	4600	7000	10000
Nb of layers	5	5	5
Wire rope cap. 1st layer m	32	43	39
Max. rope capacity m	210	280	260
Wire rope Ø mm	18	22	24

Maxi. speed 1st layer m/min	0,7-7,5	0,3-3	0,4-4
Maxi. speed top layer m/min	1-10	0,4-4	0,6-6
Motor kW	11	5,5	11
Power	3Ph-230/400V	3Ph-230/400V	3Ph-230/400V
Weight kg	1060	consult us	consult us



HUCHEZ's advice

A large winding capacity allowing them to address a wide range of uses. Reliability, numerous options available. Strong points: manual drum release when no load ergonomic and secure, its 3 dead turns detector limit switch.



HUCHEZ
 4, rue Michel HAMMID
 60420 FERRIERES – France
 ☎ +33 (0) 3 44 51 11 33
 🌐 www.huchez.com
 ✉ contact@huchez.fr



SERVICE CLIENTS
 ATENCIO AL CLIENTE
 KUNDENSERVICE



Pour en savoir plus, n'hésitez pas à nous contacter!
 To know more, please contact us!
 Para más información, póngase en contacto con nosotros!
 Für weitere Informationen können Sie sich gerne an uns wenden!