

## MANISTOR 200 kg



Manual wall winch 200 kg.

Use:

- Lifting operation only
- Indoor or outdoor
- Wall-mounted position
- Sports room
- Shows, stage equipment
- Industry
- Lifting billboard

Comply with Machines Directive 2006/42/EC. Developed and manufactured in accordance with standard NF E N 13157.

### Technical properties

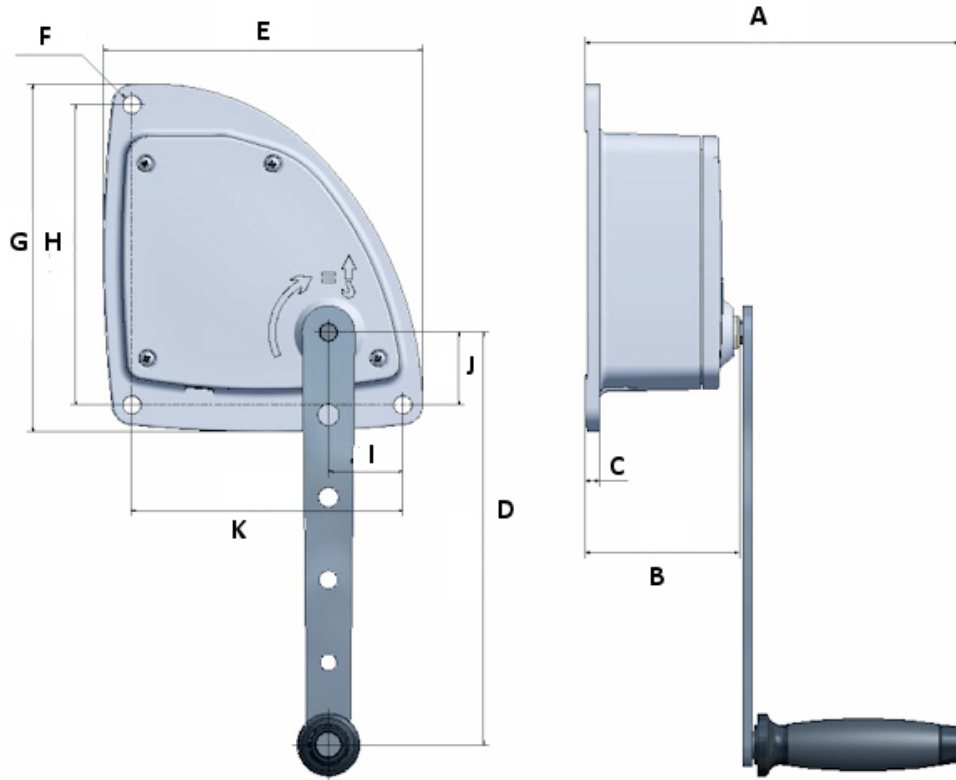
- Light.
- Ergonomic, pleasant to use.
- Small.
- Easy to install (3 points of fixation) and to use.
- Aluminium structure.
- Mechanical parts with anti-corrosion treatment.
- Polymer drum.
- Automatic brake.
- Two ratchets for maximum safety.
- Very safe rope clamp with two pressure screws.
- Removable handle. Two-material handle (soft touch).
- Back-stop system.

## Technical characteristics of MANISTOR 200 kg

Capacity 1st layer kg	300
Capacity top layer kg	200
Nb of layers	4
Wire rope cap. 1st layer m	1
Max. rope capacity m	6.5
Wire rope Ø mm	4
Weight (without wire rope) kg	3
Lift per crank revolution mm	50
Max. hand force on crank kg	12

## Dimensions

A mm	227
B mm	94
C mm	9
D mm	250
E mm	194
F mm	Ø 11
G mm	211
H mm	182
I mm	45
J mm	44
K mm	164



## Technical characteristics of the other models of the range

References	MANISTOR100	MANISTOR200
Capacity 1st layer kg	150	<b>300</b>
Capacity top layer kg	100	<b>200</b>
Nb of layers	5	<b>4</b>
Wire rope cap. 1st layer m	1.5	<b>1</b>
Max. rope capacity m	10	<b>6.5</b>
Wire rope Ø mm	3	<b>4</b>
Weight (without wire rope) kg	1.9	<b>3</b>
Lift per crank revolution mm	153	<b>50</b>
Max. hand force on crank kg	18	<b>12</b>



### HUCHEZ's advice

Easy to install and to use, designed for outdoor and indoor work.



HUCHEZ  
4, rue Michel Hammid  
60420 FERRIERES – France  
☎ +33 (0) 3 44 51 11 33  
Site internet : [www.huchez.com](http://www.huchez.com)  
E-mail : [contact@huchez.fr](mailto:contact@huchez.fr)



SERVICE  
CLIENTS



Pour en savoir plus, n'hésitez pas à nous contacter !  
*To know more, please contact us!*