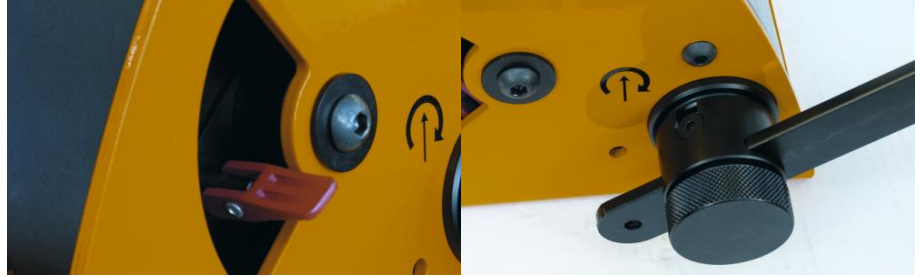


MANIBOX GR 300 kg - model with painted frame



Hand spurgear winch 300 kg, model with painted frame.

Use :

- Lifting and pulling/hauling operation
- Wall-mounted or flat
- Industry
- Auditorium, theatre scenery
- Water treatment, water dams
- Sports rooms
- Hanging chandeliers...

Comply with Machines Directive 2006/42/EC. Developed and manufactured in accordance with standard NF E N 13157.

Technical properties

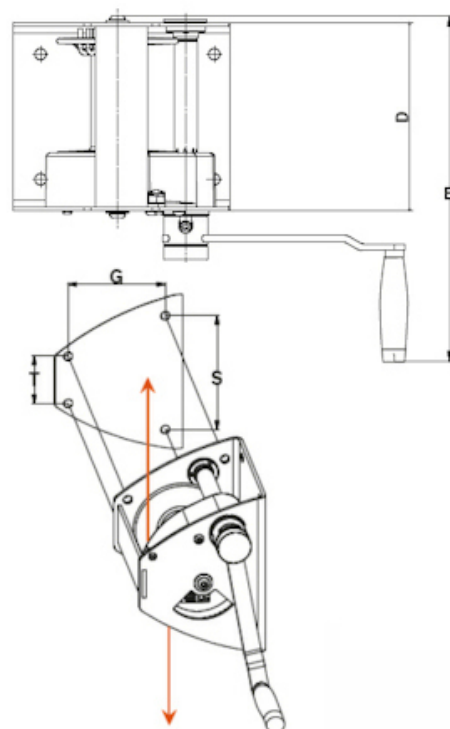
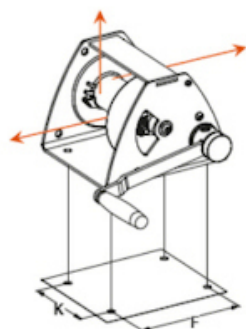
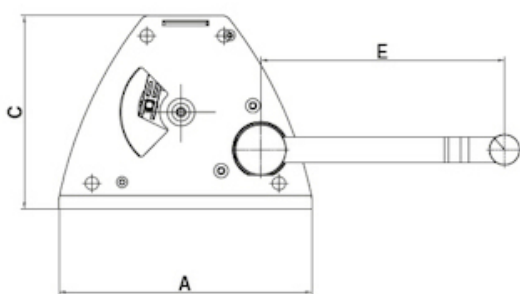
- Mechanical parts machined and protected by cataphoresis.
- Stainless steel ratchet spring.
- Straight-cut gears.
- Automatic brake made of composite materials.
- Disengageable drum, no load only, associated with a failsafe system in the rope wind direction (patented).
- Reduction system fully protected by a metal or plastic cover providing maximum safety.
- Ergonomic and removable crank handle with rotating grip. This crank arm can be adjusted to minimise effort according to the loads.
- Captive crank adjusting knob.
- Finition : painted frame.

Technical characteristics of MANIBOX GR 300 kg - model with painted frame

Capacity 1st layer kg	500
Capacity top layer kg	300
Nb of layers	6
Wire rope cap. 1st layer m	4
Max. rope capacity m	38
Wire rope Ø mm	5
Weight (without wire rope) kg	15
Lift per crank revolution mm	30.5
Max. hand force on crank kg	12.5

Dimensions

A mm	249
B mm	400
C mm	190
D mm	217
E mm	240
F mm	200
G mm	145
K mm	144
S mm	184
T mm	76



Technical characteristics of the other models of the range

References	GR300MANIBOX	GR530PREM	GR500MANIBOX	GR750PREM	GR1000MANIBOX
Capacity 1st layer kg	500	530	750	750	1450
Capacity top layer kg	300	530	500	750	1000
Nb of layers	6	1	4	1	4
Wire rope cap. 1st layer m	4	4	3	3	5.5
Max. rope capacity m	38	4	18	3	30
Wire rope Ø mm	5	6	7	7	9
Weight (without wire rope) kg	15	15	15	15	44
Lift per crank revolution mm	30.5	30.5	31.5	31.5	16
Max. hand force on crank kg	12.5	12.5	12.5	19	14.5

References	GR1450PREM	GR2000MANIBOX	GR2750PREM
Capacity 1st layer kg	1450	2750	2750
Capacity top layer kg	1450	2000	2750
Nb of layers	1	3	1
Wire rope cap. 1st layer m	5	6	6
Max. rope capacity m	5	25	6
Wire rope Ø mm	10	13	13
Weight (without wire rope) kg	44	83	83
Lift per crank revolution mm	16	9.5	9.5
Max. hand force on crank kg	14.5	16.5	16.5



HUCHEZ's advice

Captive crank adjusting knob, adjustable crank handle for fast winding or otherwise, maximum capacity, release does not operate under load, highly reliable rope fastener not requiring any special tools.



HUCHEZ
4, rue Michel Hammid
60420 FERRIERES – France
☎ +33 (0) 3 44 51 11 33
Site internet : www.huchez.com
E-mail : contact@huchez.fr



SERVICE
CLIENTS



Pour en savoir plus, n'hésitez pas à nous contacter !
To know more, please contact us!