

**GIS – CH ELECTRIC CHAIN HOIST:
SIMPLE, RELIABLE, SECURE.**



GIS – YOUR GENERAL CONTRACTING PARTNER FOR EFFICIENT MATERIAL FLOW.



- Complete range of market services for off-floor goods handling
- A wealth of know-how – from planning through to installation
- We manufacture quality products – «Made in Switzerland»
- Our approach is based on reliability and service

More features of the GIS company:

- Guaranteed innovation because we have our own development department
- Certified quality (ISO 9001)
- Our worldwide network of dealers keeps us extremely close to the market

... and a thousand and one applications!



SWISS
MADE

Your benefits:

- solutions that match your particular situation
- maximum flexibility – another benefit of the wide GIS range
- cost-effective, reliable goods handling
- business relationships based on partnership

AN OVERVIEW OF GIS – PRODUCTS

Lifting technology

GIS electric chain hoists (up to 5000 kg)

- low wear, reliable, easy to maintain
- application: stationary, movable on I-beams or combined with GIS crane system

Crane technology

GISKB crane system (up to 2000 kg)

- modular concept
- single and double bridge suspended crane for all-round goods transportation
- monorail with bends and switches for linebound transportation
- lightweight design

GIS travelling cranes (up to 5000 kg)

- designed to customer specifications
- conventional design
- especially suitable for larger spans

GIS slewing pillar and wall cranes (up to 1000 kg)

- for use when ceilings have insufficient load-bearing capacity
- an ideal addition to your suspended crane
- quick to plan, simple, easy to handle

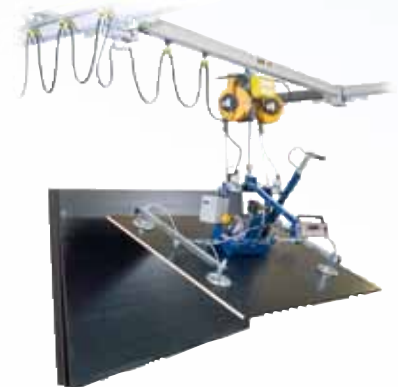
Vacuum lifting technology

Gentle lifting with GIS vacuum equipment (up to 500 kg)

- for all types of surfaces and a huge variety of products
- can be combined with electric chain hoists/wire rope hoists

Your benefits:

- perfected quality products
- tested and proven thousands of times over
- simple design and installation
- at any time extendable



GIS – CH ELECTRIC CHAIN HOIST UP TO 5000 KG

- **COMPACT DESIGN**
- **ROBUST CONSTRUCTION**
- **EASE OF MAINTENANCE**
- **AVAILABILITY ASSURED**
- **ADVANCED TECHNOLOGY**
- **SWISS QUALITY**
- **LIFTING CAPACITY UP TO 5000 KG**
- **PROTECTION CLASS IP 55 (OPTION IP 65)**

WORLD'S FIRST IN SAFETY

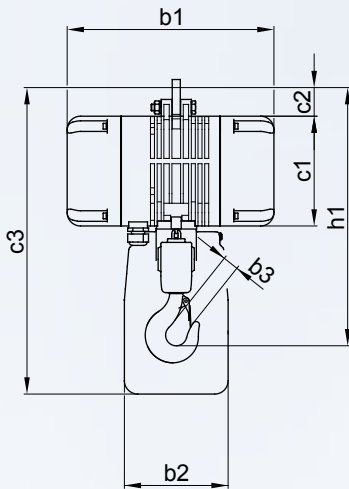
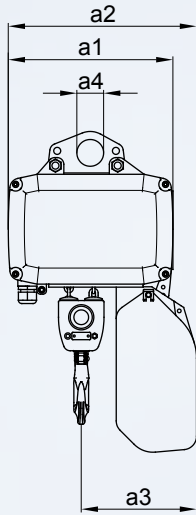
- Double slip clutch (best overload protection ever). Authority's safety test passed superbly! Five times more secure than the regulations require!
- Highest safety with brake positioned after the slip clutch
- End of chain is fixed to the hoist body
- Standard geared limit switch: chain length up to 220 m
- Made for industrial use: body and covers completely built in aluminum
- Jamming of the chain excluded due to two part plastic chain guide and external chain guide plate

WORLD'S FIRST IN SERVICE AND HANDLING

- Easy adjustment of the slipping clutch
- No special tools or electronic devices required
- Maintenance free brake system
- Chain guide removable without disassembly of the hoist
- Easy conversion from 1 to 2 fall (double load capacity)
- Ergonomic 2 and 4 button control pendant with support wire
- Silent working due to helical gears
- Standard low voltage control (42 V)



GIS – CH ELECTRIC CHAIN HOIST UP TO 5000 KG



Specification										
ISO (FEM) classification	M3 (1Bm) 150 s/h 25% duty	M4 (1Am) 180 s/h 30% duty	M5 (2m) 240 s/h 40% duty	M6 (3m) 300 s/h 50% duty	M7 (4m) 360 s/h 60% duty	Lifting speed	Motor power (M3)	3 x 400V 50Hz (M3)	No. of chain falls	Dead weight 3 m lift
Types	Capacity [kg]					[m/min]	[kW]	[A]		[kg]
GCH 250/1 N	250	200	160	125	100	8	0.36	1.3	1	19
GCH 250/1 NF	250	200	160	125	100	8/2	0.36/0.09	2.7/3.0	1	22
GCH 250/1 SF	160	125	100	100	100	12.5/3	0.36/0.09	2.7/3.0	1	22
GCH 250/1 HF	100	100	100	100	100	20/5	0.36/0.09	2.7/3.0	1	22
GCH 250/2 N	500	400	320	250	200	4	0.36	1.3	2	22.5
GCH 250/2 NF	500	400	320	250	200	4/1	0.36/0.09	2.7/3.0	2	23
GCH 250/2 SF	320	250	200	200	200	6.25/1.5	0.36/0.09	2.7/3.0	2	23
GCH 500/1 N	500	400	320	250	200	8	0.72	2.1	1	20
GCH 500/1 NF	500	400	320	250	200	8/2	0.72/0.18	2.9/3.0	1	22.5
GCH 500/1 SF	320	250	200	160	125	12.5/3	0.72/0.18	2.9/3.0	1	22.5
GCH 500/1 HF	200	160	125	100	100	20/5	0.72/0.18	2.9/3.0	1	22.5
GCH 500/2 N	1'000	800	630	500	400	4	0.72	2.1	2	24.5
GCH 500/2 NF	1'000	800	630	500	400	4/1	0.72/0.18	2.9/3.0	2	25
GCH 500/2 SF	630	500	400	320	250	6.25/1.5	0.72/0.18	2.9/3.0	2	25
GCH 1000/1 N	1'000	800	630	500	400	8	1.45	3.7	1	45
GCH 1000/1 NF	1'000	800	630	500	400	8/2	1.45/0.36	4.0/2.8	1	46
GCH 1000/1 SF	500	400	320	250	200	16/4	1.45/0.36	5.8/2.6	1	48
GCH 1000/2 N	2'000	1'600	1'250	1'000	800	4	1.45	3.7	2	50
GCH 1000/2 NF	2'000	1'600	1'250	1'000	800	4/1	1.45/0.36	4.0/2.8	2	51
GCH 1000/2 SF	1'000	800	630	500	400	8/2	1.45/0.36	5.8/2.6	2	53
GCH 1600/1 N	1'600	1'250	1'000	800	630	8	2.44	6.0	1	63
GCH 1600/1 NF	1'600	1'250	1'000	800	630	8/2	2.44/0.61	6.6/4.2	1	65
GCH 1600/1 SF	1'000	800	630	500	400	12.5/3	2.39/0.58	6.6/4.2	1	65
GCH 1600/2 N	3'200	2'500	2'000	1'600	1'250	4	2.44	6.0	2	73
GCH 1600/2 NF	3'200	2'500	2'000	1'600	1'250	4/1	2.44/0.61	6.6/4.2	2	75
GCH 1600/2 SF	2'000	1'600	1'250	1'000	800	6.25/1.5	2.39/0.58	6.6/4.2	2	75
GCH 2000/1 N	2'000	1'600	1'250	1'000	800	8	3.05	7.3	1	65
GCH 2000/1 NF	2'000	1'600	1'250	1'000	800	8/2	3.05/0.77	8.0/4.5	1	67
GCH 2000/1 SF	1'250	1'000	800	630	500	12.5/3	2.98/0.72	8.0/4.5	1	67
GCH 2000/2 N	4'000	3'200	2'500	2'000	1'600	4	3.05	7.3	2	76
GCH 2000/2 NF	4'000	3'200	2'500	2'000	1'600	4/1	3.05/0.77	8.0/4.5	2	78
GCH 2000/2 SF	2'500	2'000	1'600	1'250	1'000	6.25/1.5	2.98/0.72	8.0/4.5	2	78
GCH 2500/1 N	2'500	2'000	1'600	1'250	1'000	6.4	3.05	7.7	1	65
GCH 2500/1 NF	2'500	2'000	1'600	1'250	1'000	6.4/1.6	3.05/0.77	8.2/4.4	1	67
GCH 2500/1 SF	1'600	1'250	1'000	800	630	10/2.5	3.05/0.77	8.2/4.4	1	67
GCH 2500/2 N	5'000	4'000	3'200	2'500	2'000	3.2	3.05	7.7	2	76
GCH 2500/2 NF	5'000	4'000	3'200	2'500	2'000	3.2/0.8	3.05/0.77	8.2/4.4	2	78
GCH 2500/2 SF	3'200	2'500	2'000	1'600	1'250	5/1.25	3.05/0.77	8.2/4.4	2	78

Dimensions											
Types	a1 [mm]	a2 [mm]	a3 [mm]	a4 [mm]	b1 [mm]	b2 [mm]	b3 [mm]	c1 [mm]	c2 [mm]	c3 [mm]	h1 [mm]
GCH 250/1	246	281	146	40	309	155	22	164	53	398	369
GCH 250/2	246	281	164	40	309	155	22	164	53	398	408
GCH 500/1	246	281	146	40	309	155	22	164	53	398	377
GCH 500/2	246	281	169	40	309	155	22	164	53	398	417
GCH 1000/1	321	367	190	52	367	180	32	214	69	565	482
GCH 1000/2	321	367	224	52	367	180	32	214	69	565	556
GCH 1600/1	345	424	220	75	389	180	37	230	135	646	608
GCH 1600/2	345	424	263	75	389	180	37	230	135	646	690
GCH 2000/1	345	424	220	75	389	180	37	230	135	646	608
GCH 2000/2	345	424	263	75	389	180	37	230	135	646	690
GCH 2500/1	345	424	220	75	389	180	37	230	135	646	608
GCH 2500/2	345	424	263	75	389	180	37	230	135	646	690

Low voltage 42 volts control with emergency stop
Upper and lower electrical gearbox limit switch
Wear resistant overload slip clutch; with asbestos free lining
Heat treated gears in oil bath
Wear resistant brake
Special load chain to DIN 5684, cadmium plated, grade 8
Load hook to DIN 15401
Motor protection: IP 55 to DIN 40050
Motor insulation: F

Standard.....: lifting height 3 m / 1.8 m control cable
GCH 250/500 and GCH 1000: suspension with eyebolt
GCH 1600/2000/2500: without suspension parts

Options.....: chain / control cable extended (lifts up to 120 m)
GCH 250/500 and GCH 1000: suspension with hook
GCH 1600/2000/2500: suspension with eyebolt or hook; suspension part for travel trolleys





GIS 250

GIS

GIS



Brake

- Maximum safety (construction: brake after slipping clutch)
- New advanced brake design
- Unique availability
- Maintenance free



Chain wheel

- Made of hardened steel
- With additional chain pockets (4mm): hence quiet running and improved running properties
- With double bearing construction



Geared limit switch (standard)

- Simple adjustment
- Exact positioning
- Lifting heights up to 220 m
- Accuracy for repetition assured



Transmission

- Helical-toothed first and second gear step for quiet running
- Permanent lubrication for wear resistant operation

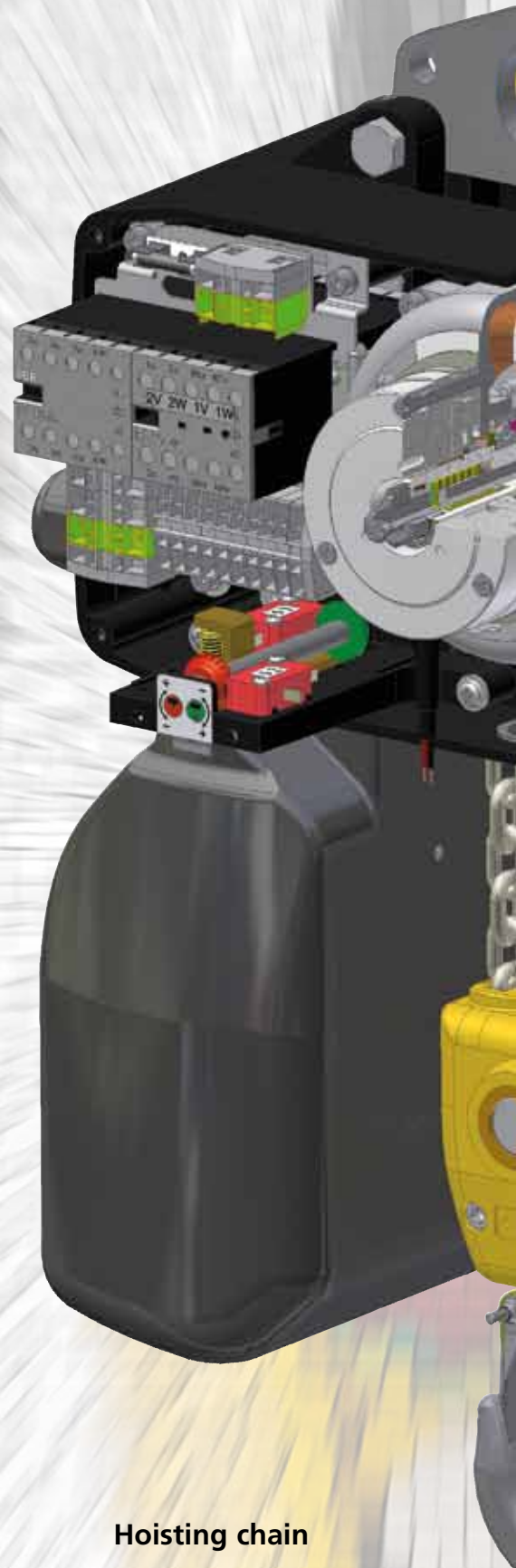


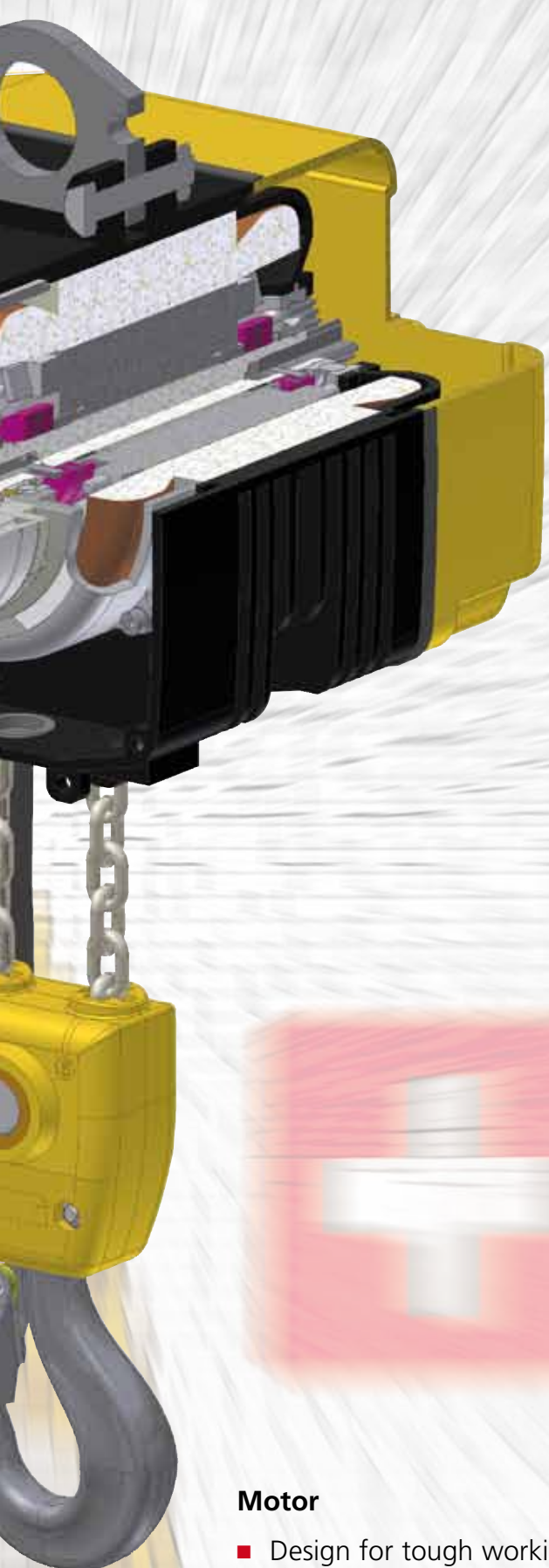
Contacteur control system

- Simple technology (no electronics susceptible to interference)
- Reliable technique
- Emergency stop as a standard
- 42V control system allowing highest safety of operation

Hoisting chain

- Calibrated especially for GIS
- Zinc plated
- Surface-hardened
- Quality class DAT (8SS) to FEM 9.671





Motor

- Design for tough working conditions
- Normal, fast and super fast speed models available
- With single or dual speed
- Option: with temperature control system
- Option: with insulation for the tropics
- Special voltages available
- 1-phase models as a standard

Chain guidance

- 2-part construction to optimize maintenance
- Reinforced plastic material highly wear resistant
- Safe operation jamming excluded



Slipping clutch

- Simple and precise adjustment
- Maintenance free and highly resistant to wear
- Ease of servicing thanks to comfortable access



Control switch

- With built-in support wire as a standard
- 2-buttons: design especially ergonomic
- Emergency stop as a standard
- Protection: IP 65 to DIN 40050
- Optional: with integrated working hours counter



Housing

- Cast aluminium housing with maximum solidity (no plastic material)
- For extreme working conditions: casted cooling gills
- Easy transformation from 1- fall to 2-falls operation: no need of dismantling









CREATION OF ADDED VALUE WITH PROFESSIONAL MATERIAL HANDLING



Low headroom with GIS - CH electric chain hoist

- Solution for especially low rooms. For working areas in all kind of industries
- Reduced headroom over clever chain guidance
- Hook position individually adjustable by geared limit switch
- Step less speed control with frequency inverter available (optional)
- Hook distance variable by modular lengthening device
- Load capacity up to 4000 kg
- Optional with chain oiling system

Synchronic lifting technology with GIS - CH electric chain hoist

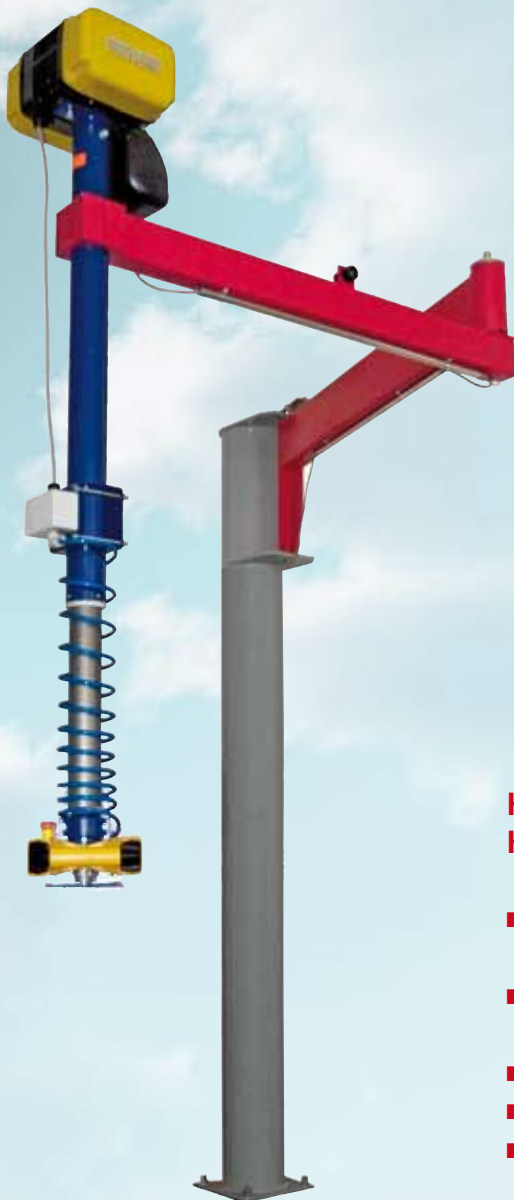
- Solution for optimized handling of exceptional length and bulky loads
- Precise parallel run of two or four load hooks guaranteed
- Load capacity with 2 hooks, up to 3200 kg
- Hook position (height) individually adjustable by geared limit switch
- Step less speed control with frequency inverter available (optional)
- Hook distance following needs and further on adjustable
- Modular development for use in low rooms
- Practicable in fully automatic installations with external controls
- Optional with chain oiling system



REALIZE YOUR WISHES BY DIRECT HANDCONTROLS

Flexible hand guide control «Chain Handy» with GIS - CH electric chain hoist

- Product positioning through toggle switch in comfortable and efficient way
- Allows a fast and reliable movement of different goods
- Standard left and right hand operation
- Safe lifting up to 250 kg capacity
- Step less speed control with frequency inverter available (optional)



High precise rigid hand guide control «Telescopic Handy» with GIS - CH electric chain hoist

- Exact and accurate positioning through toggle switch and rigid telescopic guide system
- Allows the controlled and perfected handling of different (incl. liquids) transport goods
- Standard left and right hand operation
- Safe lifting up to 250 kg capacity
- Step less speed control with frequency inverter available (optional)

ELECTRIC CHAIN HOIST – FOR THE ENTERTAINMENT INDUSTRY

Climbing and lifting with GIS - CH electric chain hoist

- Individually available with direct or standard control
- Prepared for externally powered controls
- Available with standard geared limit switch
- Available with second brake and load control system
- Fulfills requirements of BGV-D8, BGV-D8 Plus and BGV-C1



ECONOMIC EXPLOSION PROOF SOLUTION

ATEX conformity with GIS - CH electric chain hoist

- Solution with existent industrial resources
- The entry of gas is avoided through an overpressure in the housing
- Maximum safety guaranteed: At a loss of pressure in the housing the power will be cut immediately (electrically connected over the emergency stop)



Dust execution

- Ex II 3D IP 65 T130°C
- Equipment group II
 - Equipment category 3
 - Zone 22 (D)
 - Temperature class = less 130°C motor with Klixon

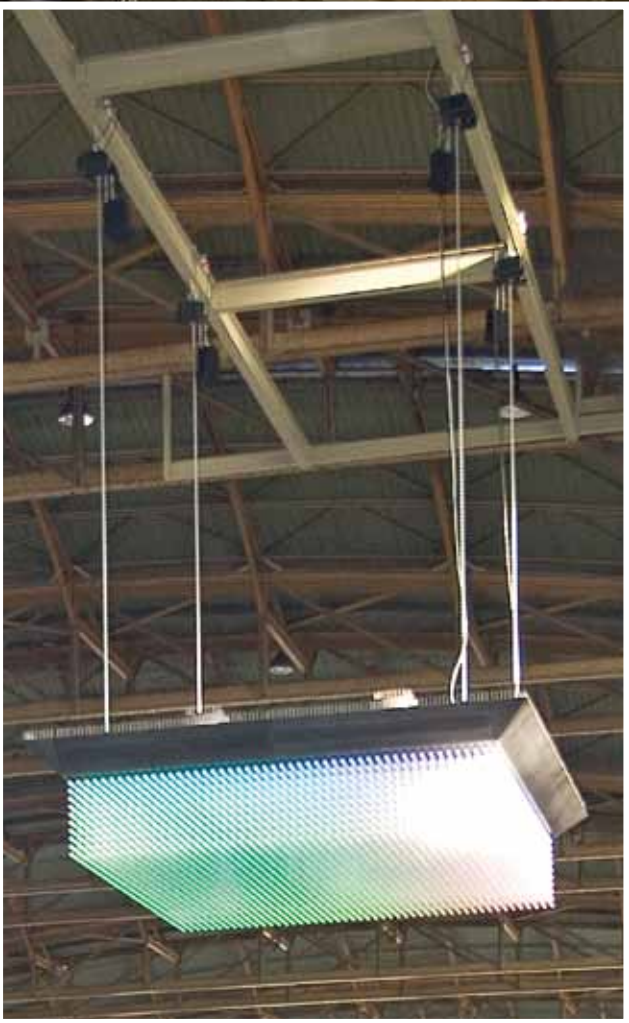
Gas execution

- Ex II 3D IP 65 T130°C and Ex II 3G EEx II nZ T3
- Equipment group II
 - Equipment category 3
 - Zone 2 (G) 22 (D)
 - Temperature class = T3
 - With overpressure surveillance

IN HARD AMBIENT CONDITIONSWE FEEL GOOD.

Specific research guarantees corrosion resistance with GIS - CH electric chain hoist

- Specially for applications in aggressive atmospheres (tested in defined acids and lye's and other specific liquids and substances)
- All contact affected parts manufactured in corrosion resistant material (chain, equipment material, hook and screws)
- High reliability with standard IP 65 protection class
- Lifting capacity up to 1000 kg



MANUAL AND MOTORIZED TROLLEYS



MANUAL TROLLEY GHF 500 K

Details see under

- 9248.9251.5

MANUAL TROLLEYS EHF 50 / 150 EHF 300 / 500

Details see under

- EHF 50 9248.9200.5
- EHF 150 9248.9202.5
- EHF 300 / 500 9248.9204.5



MOTORIZED TROLLEYS EMFE 50 / 150 EMFE 300 / 500

Details see under

- EMFE 50 9248.9217.5
- EMFE 150 9248.9218.5
- EMFE 300 9248.9219.5
- EMFE 500 9248.9220.5



MOTORIZED TROLLEYS WITH FREQUENCY DRIVE

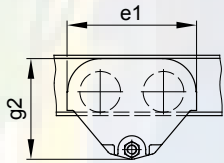
Details see under

- EMFE 50 FU 9248.9256.5
- EMFE 150 FU 9248.9257.5
- EMFE 300 FU 9248.9258.5
- EMFE 500 FU 9248.9259.5

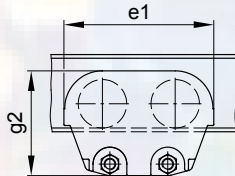


DIMENSIONS MANUAL AND MOTORIZED TROLLEYS

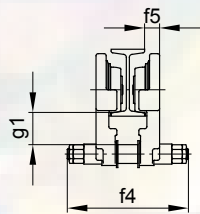
EHF 50 / 150



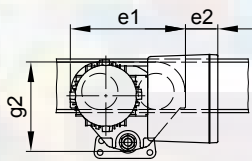
EHF 300 / 500



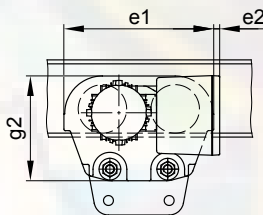
EHF 50 / 150 / 300 / 500



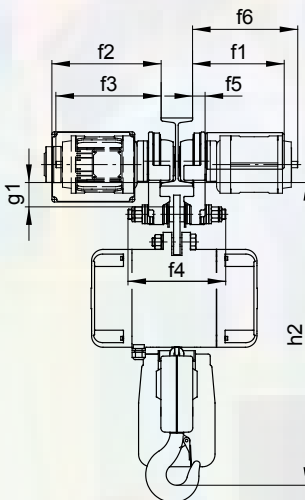
EMFE 50 / 150



EMFE 300 / 500



EMFE 50 / 150 / 300 / 500



Specification

ISO (FEM) classification	M3 (1Bm) 150 s/h 25% duty	M4 (1Am) 180 s/h 30% duty	M5 (2m) 240 s/h 40% duty	M6 (3m) 300 s/h 50% duty	M7 (4m) 360 s/h 60% duty	Travelling speed	Motor power (M3)	3 x 400V 50Hz (M3)	Dead weight
Types	Capacity [kg]					[m/min]	[kW]	[A]	[kg]
EHF 50	1'000	800	630	630	500	-	-	-	7.5
EMFE 50/N	1'000	800	630	630	500	12	0.25	0.8	27
EMFE 50/NF	1'000	800	630	630	500	12/4	0.15/0.045	0.65/0.75	27
EMFE 50/SF	800	800	630	630	500	20/6	0.15/0.045	0.65/0.75	27
EHF 150	2'000	2'000	1'600	1'600	1'250	-	-	-	13.5
EMFE 150/N	2'000	2'000	1'600	1'600	1'250	12	0.25	0.8	31
EMFE 150/NF	2'000	2'000	1'600	1'600	1'250	12/4	0.15/0.045	0.65/0.75	31
EMFE 150/SF	1'600	1'600	1'600	1'600	1'250	20/6	0.15/0.045	0.65/0.75	31
EHF 300	4'000	4'000	3'200	2'500	2'500	-	-	-	27.5
EMFE 300/N	4'000	4'000	3'200	2'500	2'500	12	0.25	0.8	50
EMFE 300/NF	4'000	4'000	3'200	2'500	2'500	12/4	0.15/0.045	0.65/0.75	50
EMFE 300/SF	3'200	3'200	3'200	2'500	2'500	20/6	0.15/0.045	0.65/0.75	50
EHF 500	5'000	4'000	3'200	3'200	2'500	-	-	-	27.5
EMFE 500/N	5'000	4'000	3'200	3'200	2'500	12	2x0.25	2x0.8	57
EMFE 500/NF	5'000	4'000	3'200	3'200	2'500	12/4	2x0.15/0.045	2x0.65/0.75	57
EMFE 500/SF	4'000	4'000	3'200	3'200	2'500	20/6	2x0.15/0.045	2x0.65/0.75	57

Dimensions

Types	e1 [mm]	e2 [mm]	f1 [mm]	f2 [mm]	f3 [mm]	f4 [mm]	f5 [mm]	f6 [mm]
EHF 50	215	-	-	-	-	183	23	-
EMFE 50	215	62	209	250	241	183	23	-
EHF 150	250	-	-	-	-	230	27	-
EMFE 150	250	43	211	253	242	230	27	-
EHF 300	311	-	-	-	-	290	31	-
EMFE 300	311	12	217	259	249	290	31	-
EHF 500	311	-	-	-	-	290	31	-
EMFE 500	311	12	-	259	249	290	31	249

Types	g1 [mm]	g2 [mm]	h2 [mm]				Flange width [mm]
			GCH 250/1	GCH 250/2	GCH 500/1	GCH 500/2	
EHF 50	49	167	418	457	426	466	50 - 99
EMFE 50	49	167	418	457	426	466	50 - 99
			GCH 1000/1	GCH 1000/2			
EHF 150	60	203	542	616			76 - 139
EMFE 150	60	203	542	616			76 - 139
			GCH 1600/1	GCH 1600/2	GCH 2000/1	GCH 2000/2	
EHF 300	55	218	637	719	637	719	120 - 179
EMFE 300	55	218	637	719	637	719	120 - 179
			GCH 2500/1	GCH 2500/2			
EHF 500	55	218	637	719			120-179
EMFE 500	55	218	637	719			120-179

Options..... : other flange widths
electric travel trolley with brake

Standard voltages : 3Ph 230V, 50Hz; 3Ph 400V, 50Hz

Special voltages : on request

Selection of travel trolleys : GCH 250/500 : EHF/EMFE 50
GCH 1000 : EHF/EMFE 150

GCH 1600/2000 : EHF/EMFE 300
GCH 2500 : EHF/EMFE 500

Lifting technology
Crane technology
Vacuum lifting technology

FAITH IN TECHNOLOGY.
FAITH IN GIS.

GIS customer expectations

Check of requirements
Situation analysis
Standard specifications
Objectives



GIS concept

Goods handling concept
Advice on solutions
Concept
Budgeting/offer



GIS implementation

Implementation
Planning
Delivery
Commissioning/
Installation



Productive solutions
Optimised costs
After-sales service
Long-term guarantee

You will find our representatives in more than 50 countries and detailed technical documentation at

www.gis-ag.ch

GIS AG

Hebe- und Fördertechnik
Luzernerstrasse 50
CH-6247 Schötz

Phone +41 (0)41 984 11 33

Fax +41 (0)41 984 11 44

tel@gis-ag.ch

www.gis-ag.ch

Certified to ISO 9001

GIS® Lifting and Crane Technology
Faith in technology. Faith in GIS.